

**ARCTIC  
CAT<sup>®</sup>**

**2006**

90 Y-12 Youth  
Utility



Model Number A2006KUB2BUSR (Red)  
Model Number A2006KUB2BUSG (Green)



**Illustrated Parts Manual**

# TABLE OF CONTENTS

## 2006 ATV 90 Y-12 Youth- Utility

Red (Model No. A2006KUB2BUSR)    Green (Model No. A2006KUB2BUSG)

BODY PANEL AND RACK ASSEMBLY .....	1
DECALS .....	2
FRAME AND RELATED PARTS ASSEMBLY .....	3
KICK STARTER AND PROTECTOR ASSEMBLY .....	4
HANDLEBAR AND CONTROL ASSEMBLY .....	5
THROTTLE CONTROL ASSEMBLY .....	6
HYDRAULIC HAND BRAKE ASSEMBLY .....	7
STEERING POST ASSEMBLY .....	8
FRONT WHEEL AND BRAKE ASSEMBLIES .....	9
REAR WHEEL AND BRAKE ASSEMBLIES .....	10
REAR AXLE ASSEMBLY .....	11
FRONT SUSPENSION ASSEMBLY .....	12
REAR SUSPENSION ASSEMBLY .....	13
ELECTRICAL AND WIRING HARNESS ASSEMBLY .....	14
BATTERY ASSEMBLY .....	15
SEAT AND TOOL KIT ASSEMBLY .....	16
GAS TANK ASSEMBLY .....	17
TAILLIGHT ASSEMBLY .....	18
AIR INTAKE ASSEMBLY .....	19
EXHAUST ASSEMBLY .....	20
CARBURETOR ASSEMBLY .....	21
PISTON ASSEMBLY .....	22
CYLINDER HEAD ASSEMBLY .....	23
CRANKCASE COVER ASSEMBLY .....	24
CRANKCASE ASSEMBLY .....	25
CLUTCH ASSEMBLIES .....	26
TRANSMISSION ASSEMBLY .....	27
STARTER MOTOR AND OIL PUMP ASSEMBLIES .....	28
STATOR, FLYWHEEL, AND ENGINE SHROUD ASSEMBLIES .....	29
RELATED ITEMS .....	Back Cover

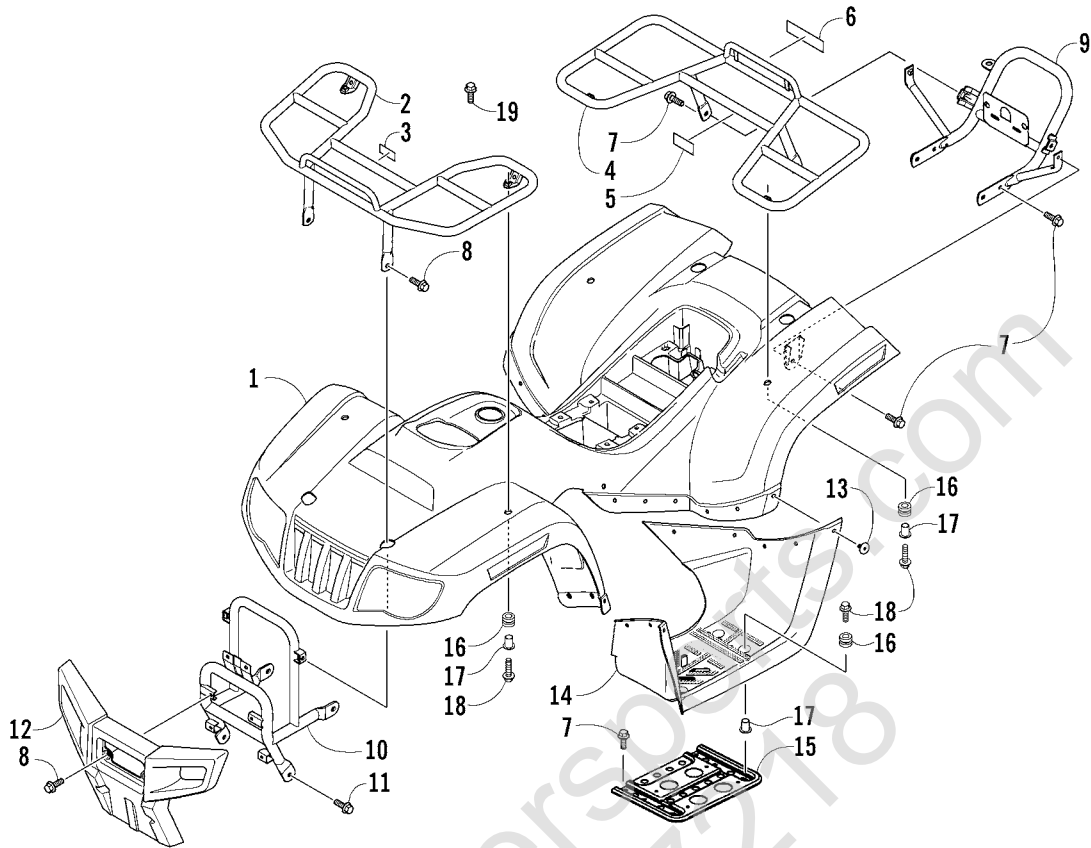
■ **NOTE:** The illustrations used in this Parts Manual are for reference to replacement part numbers only and are not to be used for assembly. For assembly procedures, use an Arctic Cat Service Manual. Underlined part numbers are new for the 2006 model year.

2005 Arctic Cat Inc.

®™ Trademarks of Arctic Cat Inc., Thief River Falls, MN 56701



Printed November 2005

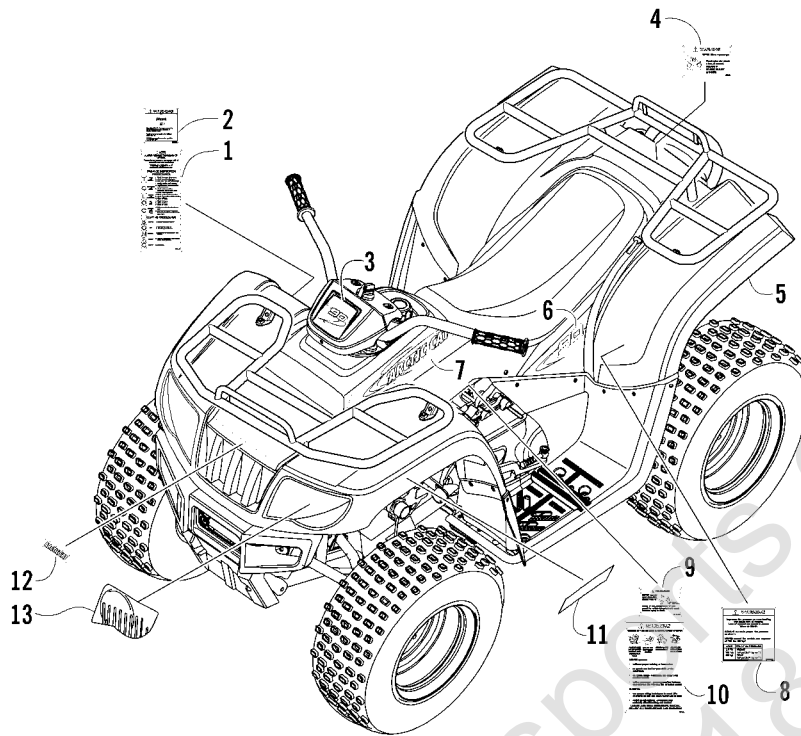


## BODY PANEL AND RACK ASSEMBLY

0741-131

Ref.	Part No.	Qty.	Description	Ref.	Part No.	Qty.	Description
1	<u>3304-498</u>	1	Panel, Body - Red	11	<u>3304-544</u>	4	Bolt, Flange
	<u>3304-499</u>	1	Panel, Body - Green (Green)	12	<u>3304-496</u>	1	Fascia, Bumper - Front
2	<u>3304-503</u>	1	Rack - Front	13	<u>3303-592</u>	20	Clip, Mud Guard
3	<u>1411-316</u>	1	Decal, Warning - Front Rack Load	14	<u>3304-494</u>	1	Footrest - Right
4	<u>3304-504</u>	1	Rack - Rear		<u>3304-495</u>	1	Footrest - Left
5	<u>1411-317</u>	1	Decal, Warning - Rear Rack Load	15	<u>3304-612</u>	1	Mud Guard, Floor - Right
6	<u>1411-318</u>	1	Decal, "Arctic Cat" - White		<u>3304-613</u>	1	Mud Guard, Floor - Left
7	<u>3304-543</u>	14	Bolt, Flange	16	<u>3303-227</u>	12	Rubber, Wind Screen
8	<u>3304-587</u>	6	Bolt, Flange	17	<u>3303-233</u>	12	Collar, Floor
9	<u>3304-505</u>	1	Grip, Rear	18	<u>3304-586</u>	12	Bolt w/Washer
10	<u>3304-496</u>	1	Bumper	19	<u>3303-313</u>	3	Bolt, Flange



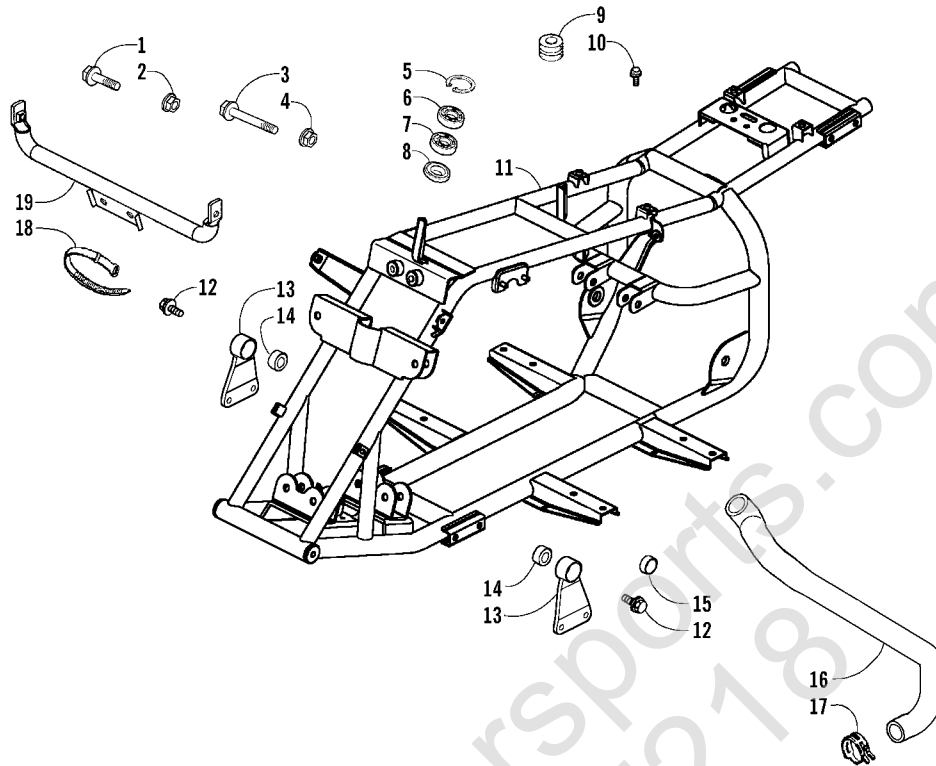


## DECALS

0740-669

Ref.	Part No.	Qty.	Description	Ref.	Part No.	Qty.	Description
1	0411-457	1	Decal, Warning - Reverse/Pre-Ride	8	0411-455	1	Decal, Warning - Tire/Load
2	0411-400	1	Decal, Warning - Age	9	0411-836	1	Decal, Warning - Hill
3	<u>1411-214</u>	1	Decal, Instrument Pod	10	0411-218	1	Decal, Warning - General
	<u>1411-215</u>	1	Decal, Instrument Pod (Green)	11	<u>1411-180</u>	1	Decal, Reflector - Front - Right
4	0411-435	1	Decal, Warning - Passenger		<u>1411-181</u>	1	Decal, Reflector - Front - Left
5	<u>1411-178</u>	1	Decal, Reflector - Rear - Right	12	<u>1411-194</u>	1	Decal, Graphic - Front
	<u>1411-179</u>	1	Decal, Reflector - Rear - Left		<u>1411-193</u>	1	Decal, Graphic - Front (Green)
6	<u>1411-244</u>	1	Decal, Graphic - Lower Right	13	<u>1411-242</u>	1	Decal, Headlight - Right
	<u>1411-245</u>	1	Decal, Graphic - Lower Left		<u>1411-243</u>	1	Decal, Headlight - Left
	<u>1411-246</u>	1	Decal, Graphic - Lower Right (Green)				
	<u>1411-247</u>	1	Decal, Graphic - Lower Left (Green)				
7	<u>1411-206</u>	1	Decal, Graphic - Side - Right				
	<u>1411-207</u>	1	Decal, Graphic - Side - Left				
	<u>1411-208</u>	1	Decal, Graphic - Side - Right (Green)				
	<u>1411-209</u>	1	Decal, Graphic - Side - Left (Green)				



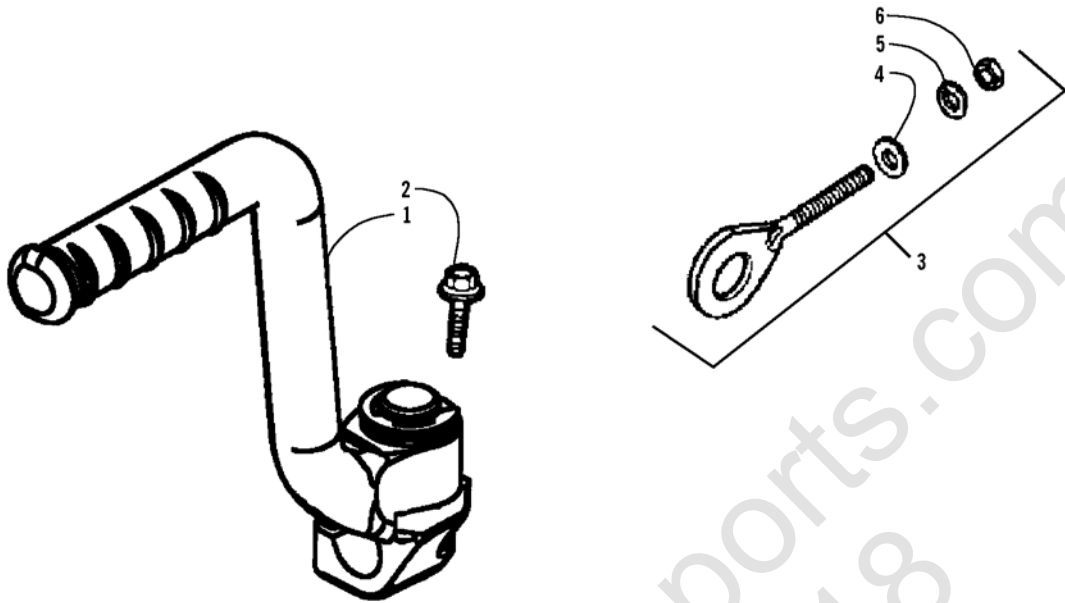


## FRAME AND RELATED PARTS ASSEMBLY

0741-234

Ref.	Part No.	Qty.	Description	Ref.	Part No.	Qty.	Description
1	<u>3304-547</u>	2	Bolt, Flange	11	<u>3303-181</u>	1	Frame, Main
2	<u>3303-269</u>	2	Nut, Flange	12	<u>3304-543</u>	4	Bolt, Flange
3	<u>3304-548</u>	2	Bolt, Flange	13	<u>3304-545</u>	1	Bracket, Engine Hanger - Right
4	<u>3303-265</u>	2	Nut, Flange		<u>3304-546</u>	1	Bracket, Engine Hanger - Left
5	<u>3303-347</u>	1	Circlip	14	<u>3304-542</u>	2	Bushing, Rubber - Engine Hanger
6	<u>3303-295</u>	1	Seal, Oil	15	<u>3303-445</u>	1	Collar
7	<u>3303-392</u>	1	Bearing	16	<u>3303-010</u>	1	Duct - Cover
8	<u>3303-298</u>	1	Seal, Oil	17	<u>3303-074</u>	1	Clamp, Hose
9	<u>3303-232</u>	2	Rubber, Engine Mounting	18	<u>3303-289</u>	1	Cable Tie
10	<u>3303-308</u>	1	Bolt, Hex	19	<u>3304-549</u>	1	Bracket, Mounting - Front Cover



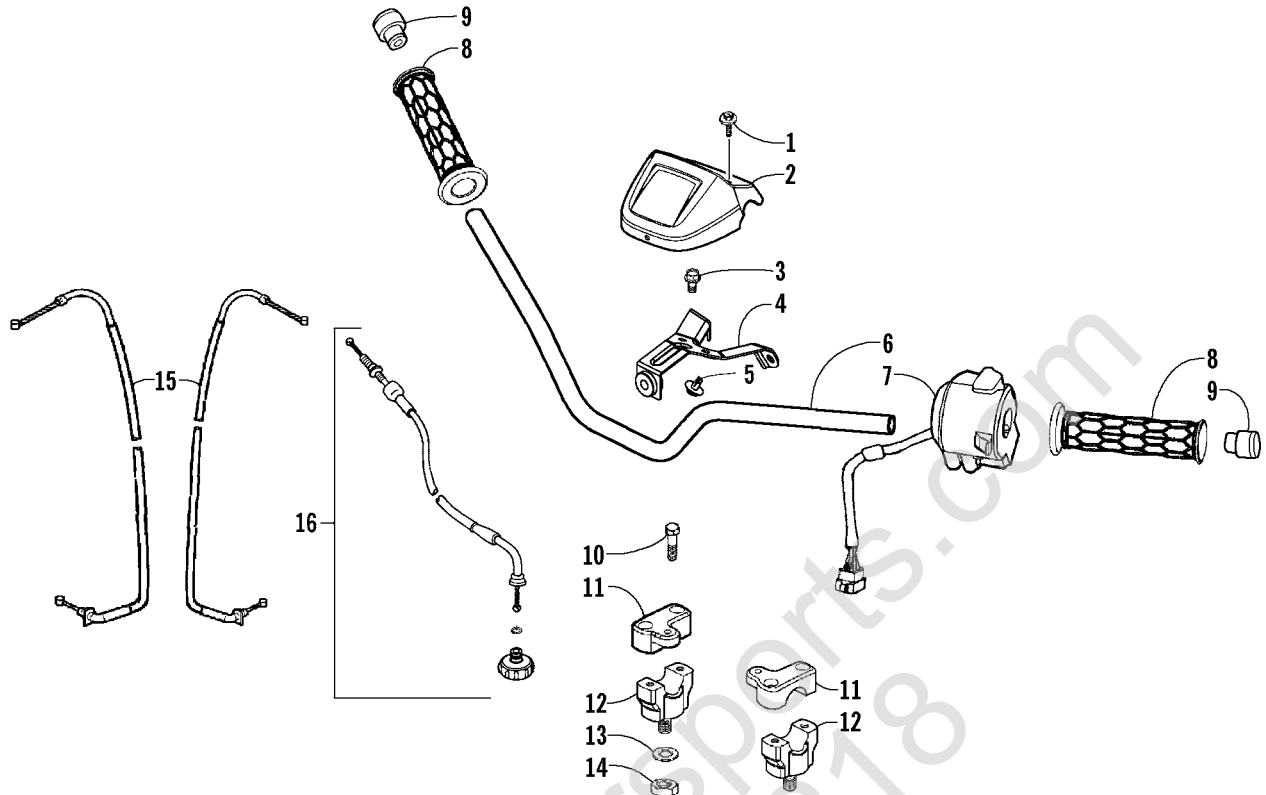


## KICK STARTER AND PROTECTOR ASSEMBLY

0741-220

Ref.	Part No.	Qty.	Description	Ref.	Part No.	Qty.	Description
1	<u>3303-549</u>	1	Arm, Kick Starter - Assembly	4	<u>3304-135</u>	1	● Washer
2	<u>3304-551</u>	1	Bolt, Flange	5	<u>3303-607</u>	1	● Washer, Spring
3	<u>3303-147</u>	1	Adjuster, Drive Train - Assembly (inc. 4-6)	6	<u>3304-125</u>	1	● Nut, Hex



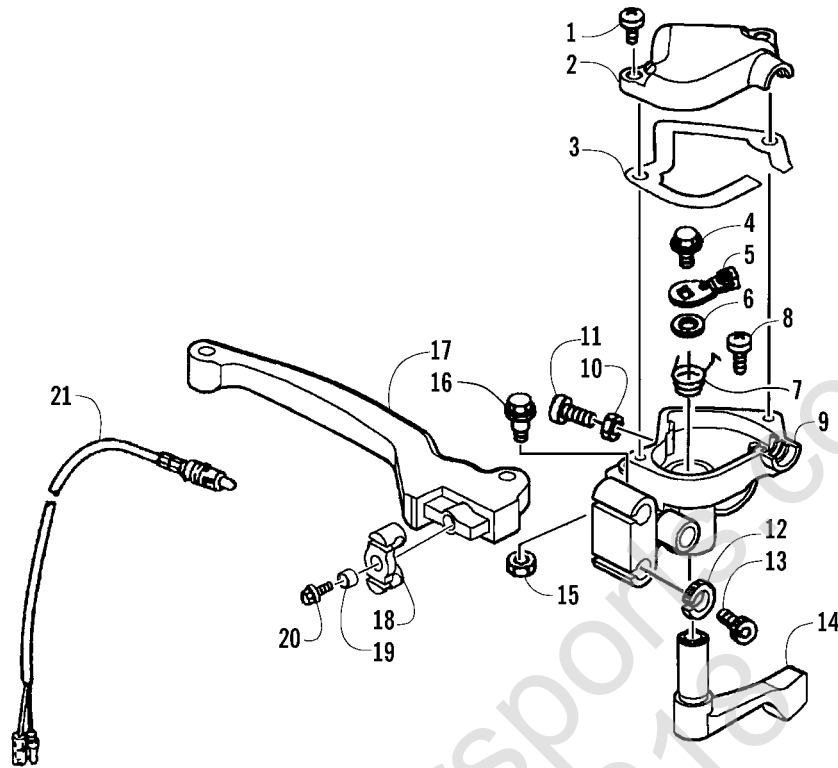


## HANDLEBAR AND CONTROL ASSEMBLY

0741-145

Ref.	Part No.	Qty.	Description	Ref.	Part No.	Qty.	Description
1	<a href="#">3304-029</a>	2	Bolt w/Washer	9	<a href="#">3303-196</a>	2	End Cap, Handlebar
2	<a href="#">3304-500</a>	1	Instrument Pod - Red	10	<a href="#">3303-398</a>	4	Bolt, Socket
	<a href="#">3304-501</a>	1	Instrument Pod - Green (Green)	11	<a href="#">3303-197</a>	1	Holder, Handlebar - Right
3	<a href="#">3304-553</a>	2	Bolt, Flange		<a href="#">3303-198</a>	1	Holder, Handlebar - Left
4	<a href="#">3304-506</a>	1	Bracket, Instrument Pod	12	<a href="#">3303-199</a>	2	Holder, Handlebar - Lower
5	<a href="#">3304-552</a>	1	Clip, Mud Guard	13	<a href="#">3303-336</a>	2	Washer
6	<a href="#">3303-434</a>	1	Handlebar	14	<a href="#">3303-325</a>	2	Nut, Hex
7	<a href="#">3303-424</a>	1	Switch, Handlebar - Left - Assembly	15	<a href="#">3303-173</a>	2	Cable, Brake - Front
8	<a href="#">3303-203</a>	2	Grip, Handlebar	16	<a href="#">1502-096</a>	1	Cable, Throttle - Kit





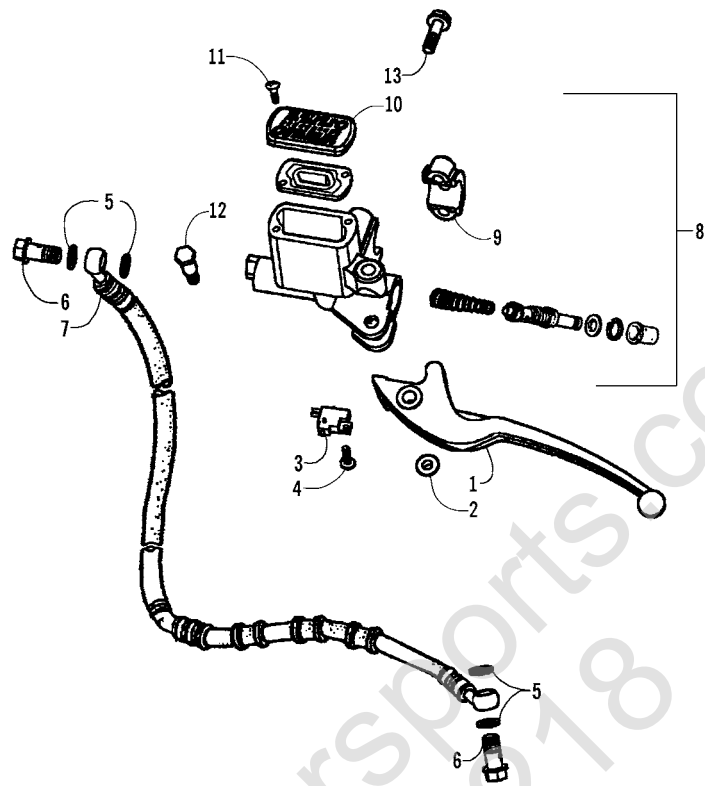
## THROTTLE CONTROL ASSEMBLY

(Complete Throttle Control Assembly p/n 3303-447)

0741-222

Ref.	Part No.	Qty.	Description	Ref.	Part No.	Qty.	Description
1	<u>3303-315</u>	2	Bolt, Flange	12	<u>3303-271</u>	2	Nut, Lock
2	<u>3303-207</u>	1	Cover, Throttle Control	13	<u>3303-208</u>	2	Bolt, Wire Adjustment
3	<u>3303-209</u>	1	Gasket, Throttle Control Cover	14	<u>3303-200</u>	1	Lever, Choke
4	<u>3304-554</u>	1	Screw	15	<u>3303-262</u>	1	Nut
5	<u>3304-555</u>	1	Cover, Parking Brake	16	<u>3303-255</u>	2	Bolt
6	<u>3304-556</u>	1	Button, Parking Brake	17	<u>3303-205</u>	1	Lever, Throttle
7	<u>3304-557</u>	1	Stopper, Parking Brake	18	<u>3303-201</u>	1	Equalizer, Brake Cable
8	<u>3303-397</u>	1	Bolt, Socket	19	<u>3303-202</u>	1	Spacer
9	<u>3303-204</u>	1	Case, Throttle Control	20	<u>3303-558</u>	1	Bolt, Flange
10	<u>3303-324</u>	1	Nut, Hex	21	<u>3303-140</u>	1	Switch, Brake
11	<u>3304-558</u>	1	Screw				



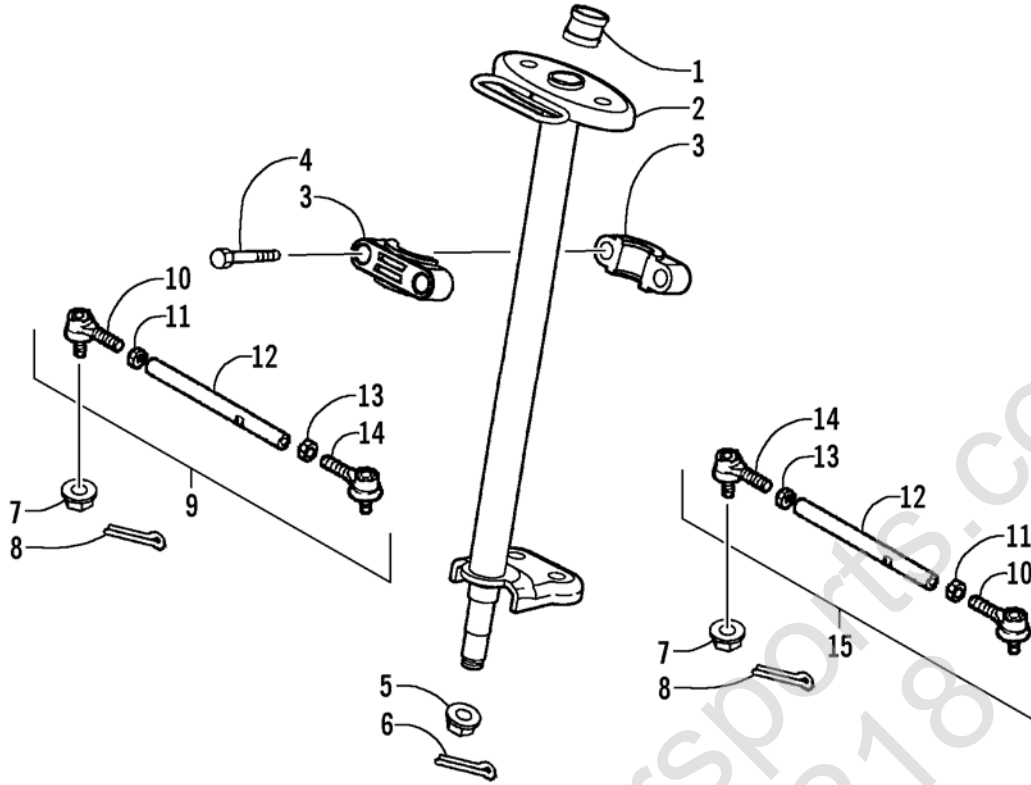


## HYDRAULIC HAND BRAKE ASSEMBLY

0741-258

Ref.	Part No.	Qty.	Description	Ref.	Part No.	Qty.	Description
1	<a href="#">3303-206</a>	1	Lever	8	<a href="#">3303-163</a>	1	Brake, Master Cylinder - Assembly (inc. 9-12)
2	<a href="#">3304-132</a>	1	Nut, Flange	9	<a href="#">3303-175</a>	1	● Clamp, Master Cylinder
3	<a href="#">3303-141</a>	1	Switch Assembly	10	<a href="#">3303-174</a>	1	● Cap, Master Cylinder
4	<a href="#">3303-321</a>	1	Screw w/Washer	11	<a href="#">3303-318</a>	2	● Screw, Flat Head
5	<a href="#">3303-284</a>	4	Washer, Crush	12	<a href="#">3303-254</a>	1	● Bolt, Lever
6	<a href="#">3303-257</a>	2	Bolt, Banjo Fitting	13	<a href="#">3304-611</a>	2	Bolt, Flange
7	<a href="#">3303-160</a>	1	Hose, Brake - Assembly				



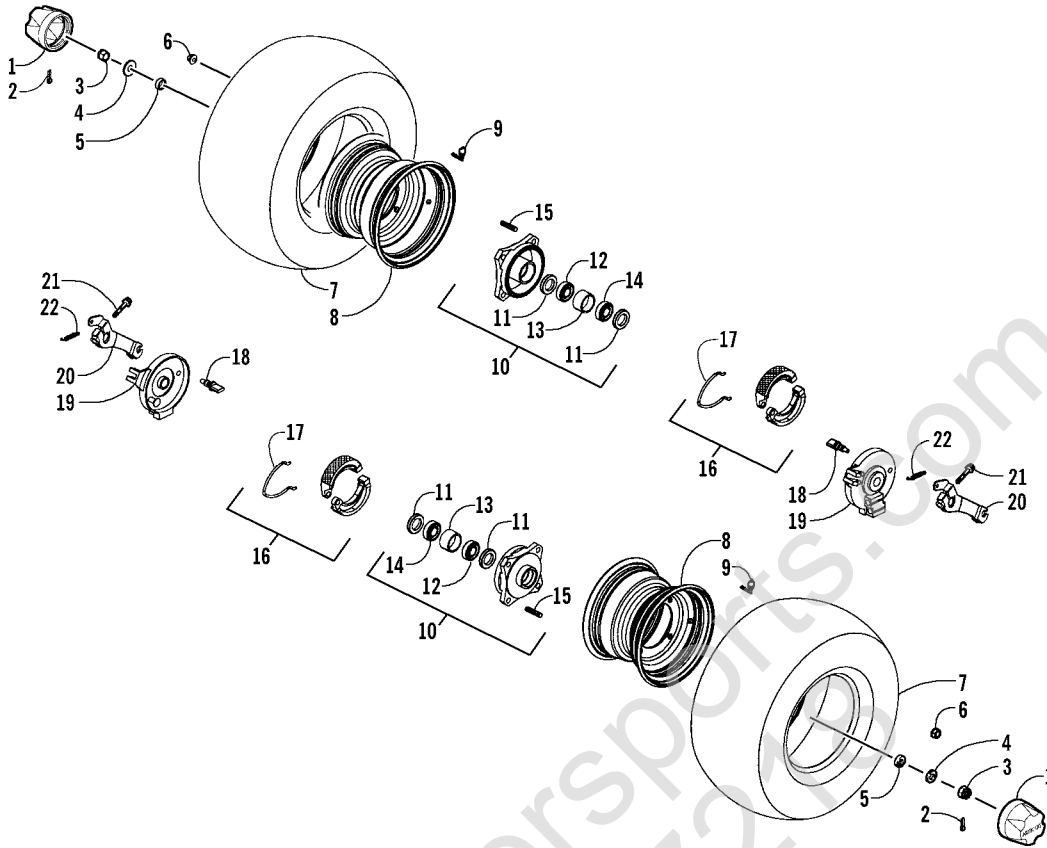


## STEERING POST ASSEMBLY

0740-505

Ref.	Part No.	Qty.	Description	Ref.	Part No.	Qty.	Description
1	<a href="#">3303-214</a>	1	Sleeve, Steering Post	9	<a href="#">3303-448</a>	1	Tie Rod Assembly - Right (inc. one No. 10-14)
2	<a href="#">3303-572</a>	1	Post, Steering	10	<a href="#">3303-223</a>	2	● Ball Joint, Tie Rod - Right
3	<a href="#">3303-213</a>	2	Holder, Steering Post	11	<a href="#">3303-326</a>	2	● Nut, Hex
4	<a href="#">3304-559</a>	2	Bolt, Flange	12	<a href="#">3303-222</a>	2	● Tie Rod
5	<a href="#">3304-032</a>	1	Nut	13	<a href="#">3303-327</a>	2	● Nut, Hex
6	<a href="#">3303-470</a>	1	Pin, Cotter	14	<a href="#">3303-224</a>	2	● Ball Joint, Tie Rod - Left
7	<a href="#">3303-266</a>	4	Nut, Flange	15	<a href="#">3303-449</a>	1	Tie Rod Assembly - Left (inc. one No. 10-14)
8	<a href="#">3303-621</a>	4	Pin, Cotter				



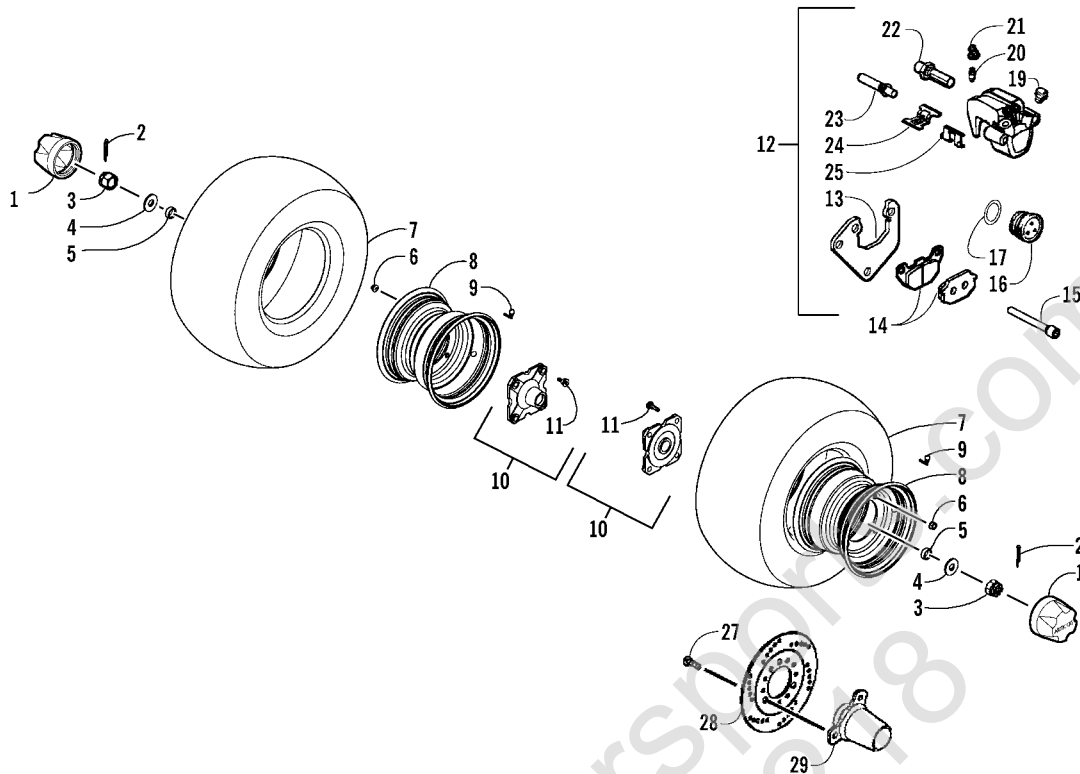


## FRONT WHEEL AND BRAKE ASSEMBLIES

0741-229

Ref.	Part No.	Qty.	Description	Ref.	Part No.	Qty.	Description
1	<u>3303-430</u>	2	Cap, Wheel Shaft	13	<u>3303-445</u>	2	● Collar, Front Disc
2	<u>3303-470</u>	2	Pin, Cotter	14	<u>3303-467</u>	2	● Bearing, Ball - Radial
3	<u>3303-328</u>	2	Nut, Flange Castle	15	<u>3303-463</u>	8	● Bolt, Stud
4	<u>3304-560</u>	2	Washer - 12 mm	16	<u>3303-169</u>	2	Shoe, Front - Assembly (inc. 17)
5	<u>3304-561</u>	2	Collar, Wheel - Front	17	<u>3304-563</u>	2	● Spring, Brake Shoe
6	<u>3303-266</u>	8	Nut, Flange	18	<u>3303-170</u>	2	Cam, Front Brake
7	<u>3303-429</u>	2	Tire - Assembly	19	<u>3303-168</u>	1	Panel - Front - Right
8	<u>3303-166</u>	2	Rim - Assembly (inc. 9)		<u>3303-176</u>	1	Panel - Front - Left
9	<u>3304-562</u>	2	● Stem, Valve	20	<u>3303-171</u>	1	Arm, Brake - Right
10	<u>3303-165</u>	2	Hub, Front - Assembly (inc. 11-15)		<u>3303-177</u>	1	Arm, Brake - Left
11	<u>3303-456</u>	4	● Seal, Dust	21	<u>3303-355</u>	2	Bolt, Flange
12	<u>3303-468</u>	2	● Bearing, Ball - Radial	22	<u>3303-172</u>	2	Spring, Return



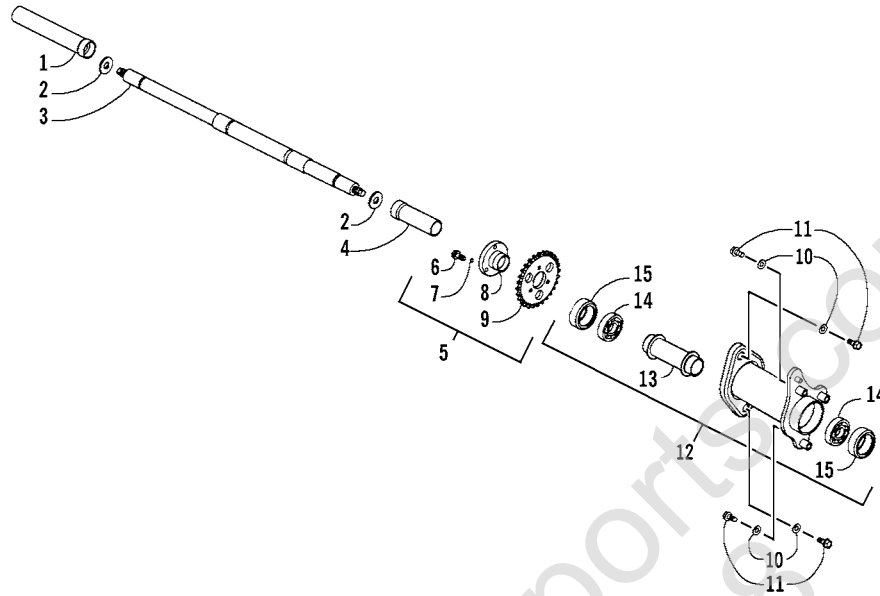


## REAR WHEEL AND BRAKE ASSEMBLIES

0741-225 \*Not a Service Part

Ref.	Part No.	Qty.	Description	Ref.	Part No.	Qty.	Description
1	<u>3303-430</u>	2	Cap, Wheel Shaft	16	<u>3304-592</u>	1	● Piston
2	<u>3303-340</u>	2	Pin, Cotter	17	<u>3304-327</u>	1	● Seal, Piston
3	<u>3303-328</u>	2	Nut, Flange Castle	18	*	1	● Housing, Caliper - Assembly
4	<u>3303-335</u>	2	Washer	19	<u>3304-333</u>	1	● Plug
5	<u>3303-164</u>	2	Collar, Wheel	20	<u>3304-302</u>	1	● Valve, Bleed
6	<u>3303-266</u>	8	Nut, Flange	21	<u>3304-303</u>	1	● Cap, Bleed Valve
7	<u>3303-428</u>	2	Tire - Rear	22	<u>3304-589</u>	1	● Bushing, Pin Bolt
8	<u>3303-156</u>	2	Rim - Assembly (inc. 9)	23	<u>3304-590</u>	1	● Boot B
9	<u>3304-562</u>	2	● Stem, Valve	24	<u>3304-591</u>	1	● Spring, Brake Pad
10	<u>3304-564</u>	2	Connector - Assembly (inc. 11)	25	<u>3304-316</u>	1	● Seal, Dust
11	<u>3303-250</u>	8	● Bolt, Connector	26	<u>3303-256</u>	2	Bolt, Flange
12	<u>3303-568</u>	1	Caliper, Rear - Assembly (inc. 13-25)	27	<u>3303-253</u>	3	Bolt, Disc
13	<u>3303-469</u>	1	● Bracket	28	<u>3303-162</u>	1	Disc, Brake - Rear
14	<u>3304-567</u>	1	● Pad, Brake - Assembly	29	<u>3303-161</u>	1	Collar, Hub - Rear
15	<u>3304-566</u>	2	● Pin, Bolt				



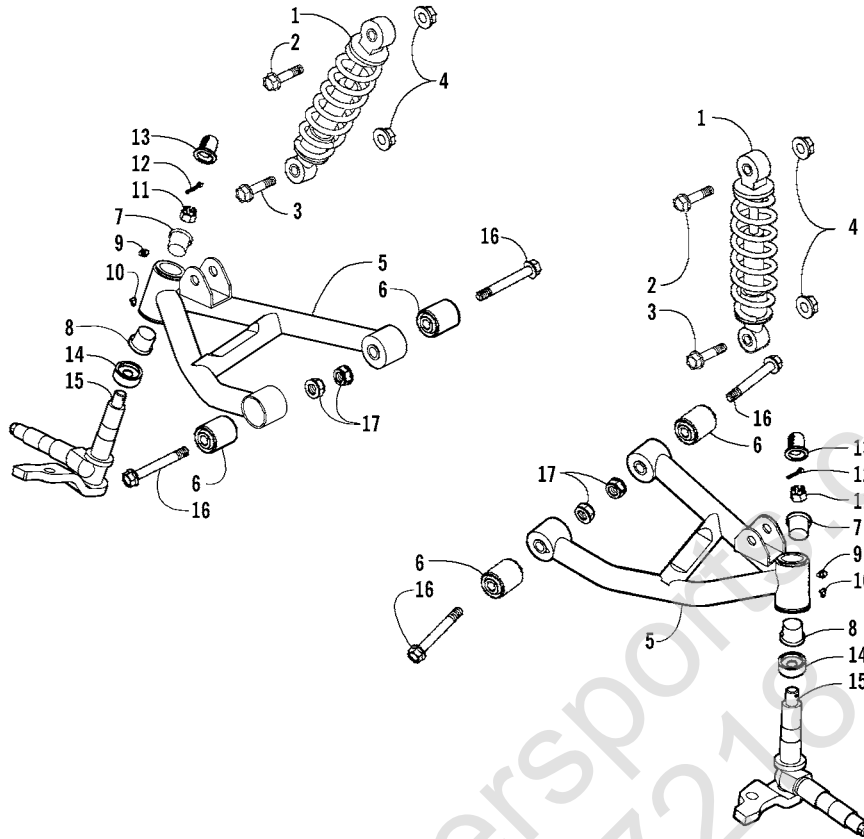


## REAR AXLE ASSEMBLY

0741-223

Ref.	Part No.	Qty.	Description	Ref.	Part No.	Qty.	Description
1	<a href="#">3303-152</a>	1	Spacer, Rear Wheel - Right	9	<a href="#">3303-426</a>	1	● Sprocket, Final Drive
2	<a href="#">3303-281</a>	2	Washer	10	<a href="#">3303-281</a>	4	Washer
3	<a href="#">3303-151</a>	1	Shaft, Rear Wheel	11	<a href="#">3303-379</a>	4	Bolt, Flange
4	<a href="#">3303-153</a>	1	Spacer, Rear Wheel - Left	12	<a href="#">3303-154</a>	1	Hub, Rear - Assembly (inc. 13-15)
5	<a href="#">3303-566</a>	1	Sprocket, Final Drive - Assembly (inc. 6-9)	13	<a href="#">3303-427</a>	1	● Collar, Hub - Right
6	<a href="#">3304-565</a>	3	● Bolt, Flange	14	<a href="#">3303-466</a>	2	● Bearing
7	<a href="#">3303-607</a>	3	● Washer, Spring	15	<a href="#">3303-461</a>	2	● Seal, Dust
8	<a href="#">3303-149</a>	1	● Holder, Sprocket				



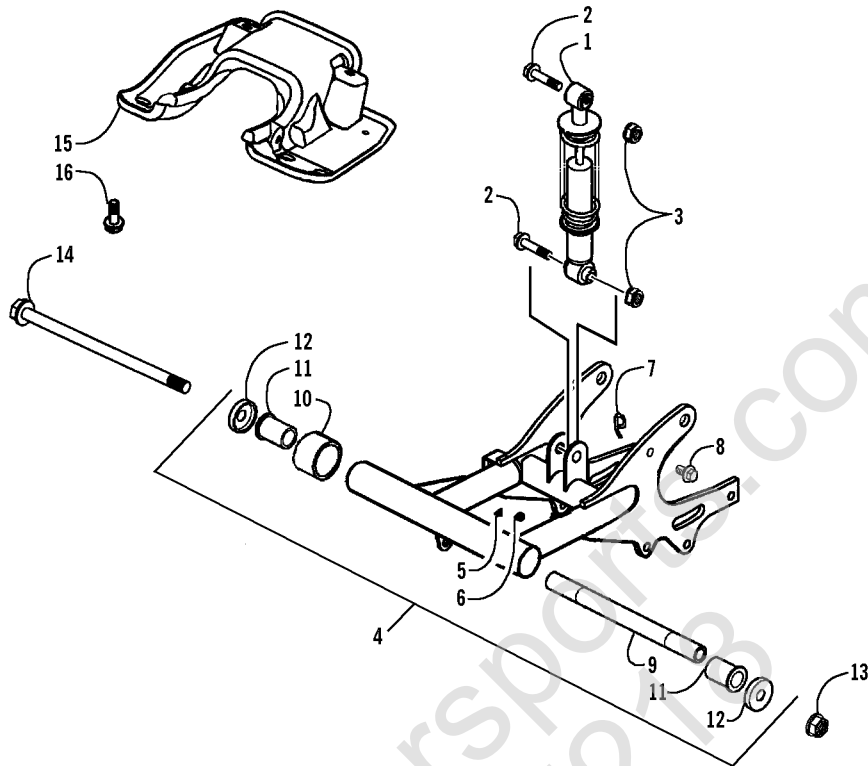


## FRONT SUSPENSION ASSEMBLY

0741-236

Ref.	Part No.	Qty.	Description	Ref.	Part No.	Qty.	Description
1	<u>3303-431</u>	2	Shock, Front - Assembly	10	<u>3303-394</u>	2	● Boot, Grease Fitting
2	<u>3303-376</u>	2	Bolt, Flange	11	<u>3303-329</u>	2	Nut, Flange Castle
3	<u>3303-309</u>	2	Bolt, Hex	12	<u>3303-337</u>	2	Pin, Cotter
4	<u>3303-333</u>	4	Nut, Flange	13	<u>3303-219</u>	2	Cap, Swing Arm
5	<u>3303-438</u>	1	Arm, Swing - Set - Front Right (inc. 6-10)	14	<u>3303-220</u>	2	Seal, Swing Arm
	<u>3303-439</u>	1	Arm, Swing - Set - Front Left (inc. 6-10)	15	<u>3303-178</u>	1	Shaft, Steering - Right
6	<u>3303-216</u>	4	● Bushing, Swing Arm		<u>3303-180</u>	1	Shaft, Steering - Left
7	<u>3303-218</u>	2	● Bushing, Swing Arm - Top	16	<u>3304-595</u>	4	Bolt, Flange
8	<u>3303-217</u>	2	● Bushing, Swing Arm - Bottom	17	<u>3303-265</u>	4	Nut, Flange
9	<u>3303-393</u>	2	● Fitting, Grease				



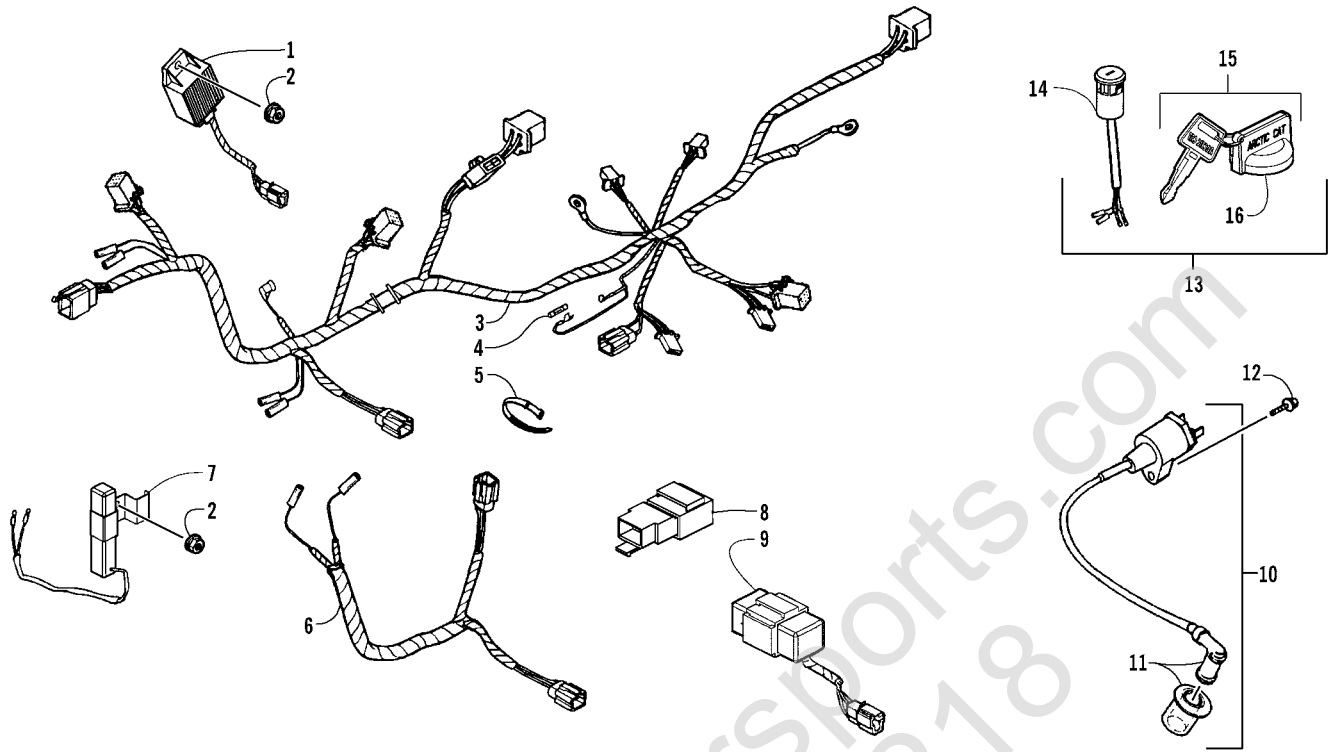


## REAR SUSPENSION ASSEMBLY

0741-237

Ref.	Part No.	Qty.	Description	Ref.	Part No.	Qty.	Description
1	<a href="#">3303-433</a>	1	Shock, Rear - Assembly	9	<a href="#">3303-189</a>	1	● Axle, Rear Fork
2	<a href="#">3303-376</a>	2	Bolt, Flange	10	<a href="#">3303-190</a>	1	● Sleeve, Rubber
3	<a href="#">3303-265</a>	2	Nut, Flange	11	<a href="#">3303-191</a>	2	● Bushing, Rear Fork
4	<a href="#">3303-432</a>	1	Fork, Rear - Assembly (inc. 5-12)	12	<a href="#">3303-192</a>	2	● Cap, Rear Fork
5	<a href="#">3303-394</a>	1	● Boot, Grease Fitting	13	<a href="#">3304-032</a>	1	Nut
6	<a href="#">3303-393</a>	1	● Fitting, Grease	14	<a href="#">3303-150</a>	1	Bolt, Rear Fork
	<a href="#">3303-180</a>	1	● Shaft, Steering - Left	15	<a href="#">3304-593</a>	1	Guard, Rear Fork
7	<a href="#">3304-594</a>	1	● Clamp, Brake Hose	16	<a href="#">3304-586</a>	4	Bolt, Flange
8	<a href="#">3303-356</a>	1	● Bolt				



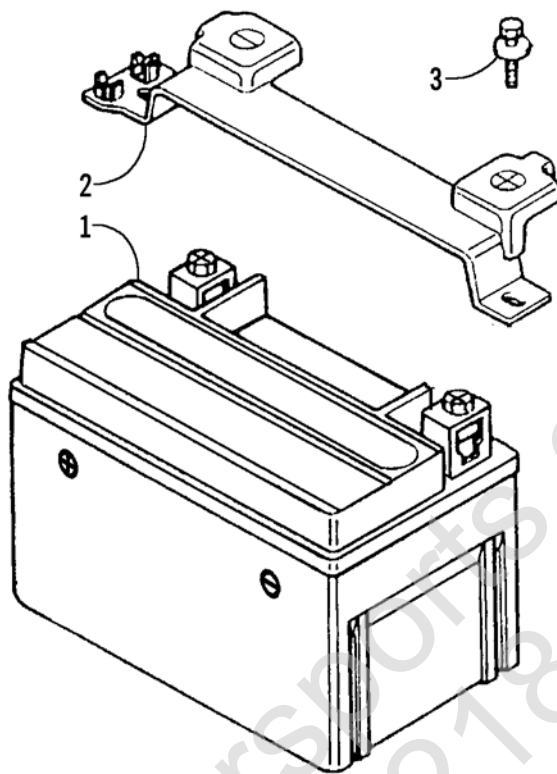


## ELECTRICAL AND WIRING HARNESS ASSEMBLY

0741-235 \*Not a Service Part

Ref.	Part No.	Qty.	Description	Ref.	Part No.	Qty.	Description
1	<u>3303-132</u>	1	Regulator, Voltage	10	<u>3303-125</u>	1	Coil Assembly - Ignition (inc. 11)
2	<u>3303-331</u>	2	Nut, Flange	11	<u>3303-126</u>	1	● Cap, Noise Suppressor - Assembly
3	<u>3303-419</u>	1	Harness, Main (inc. 4)	12	<u>3303-253</u>	1	Bolt, Flange
4	<u>3303-399</u>	2	● Fuse	13	<u>3303-423</u>	1	Key - Set (inc. 14-16)
5	<u>3303-289</u>	4	Cable Tie	14	*	1	● Switch - Assembly
6	<u>3303-134</u>	1	Sub-Cord	15	<u>3304-520</u>	1	● Key w/Cover
7	<u>3303-142</u>	1	Resistor		<u>3304-521</u>	1	● Key w/Cover
8	<u>3303-143</u>	1	Relay, Starter	16	<u>3304-522</u>	1	● Cover, Key - "Arctic Cat"
9	<u>3303-413</u>	1	CDI Assembly and Speed Control				



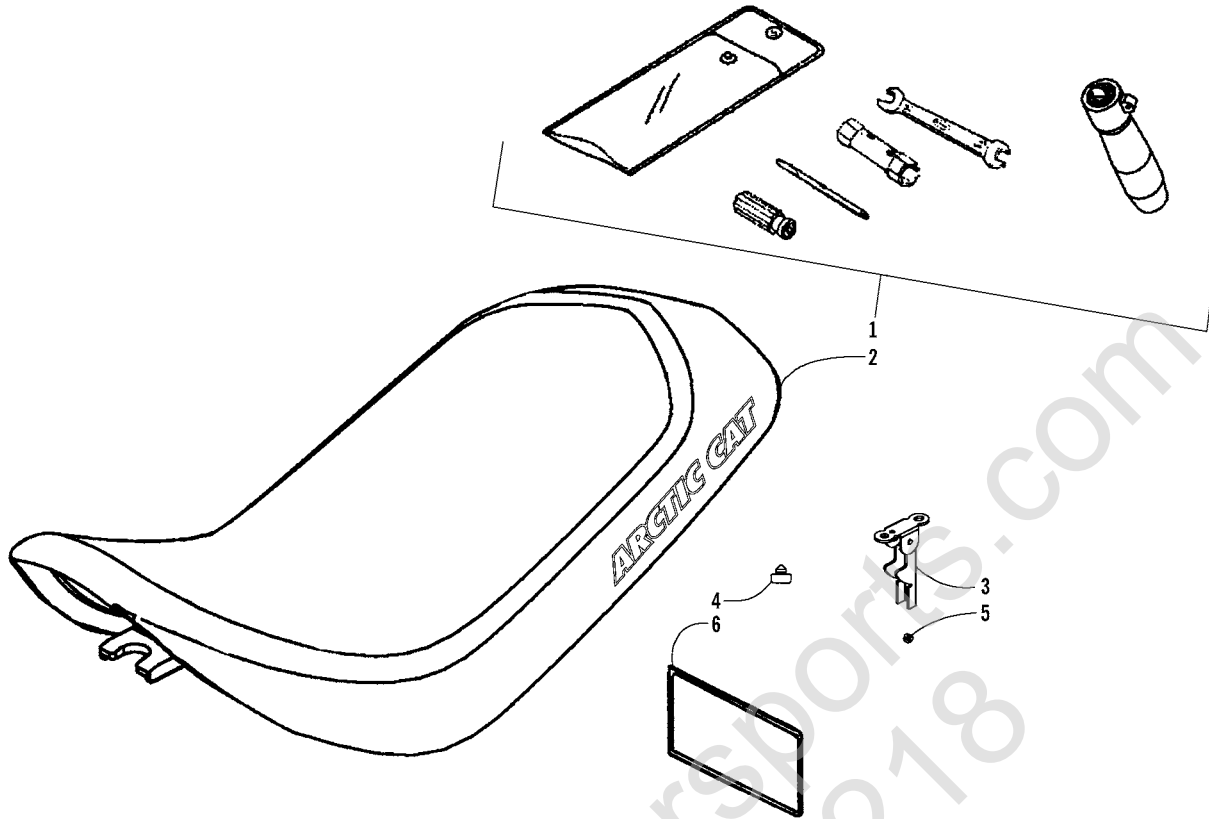


### BATTERY ASSEMBLY

0740-507

Ref.	Part No.	Qty.	Description	Ref.	Part No.	Qty.	Description
1	<u>3303-131</u>	1	Battery	3	<u>3303-263</u>	2	Bolt w/Washer
2	<u>3303-182</u>	1	Band, Battery				



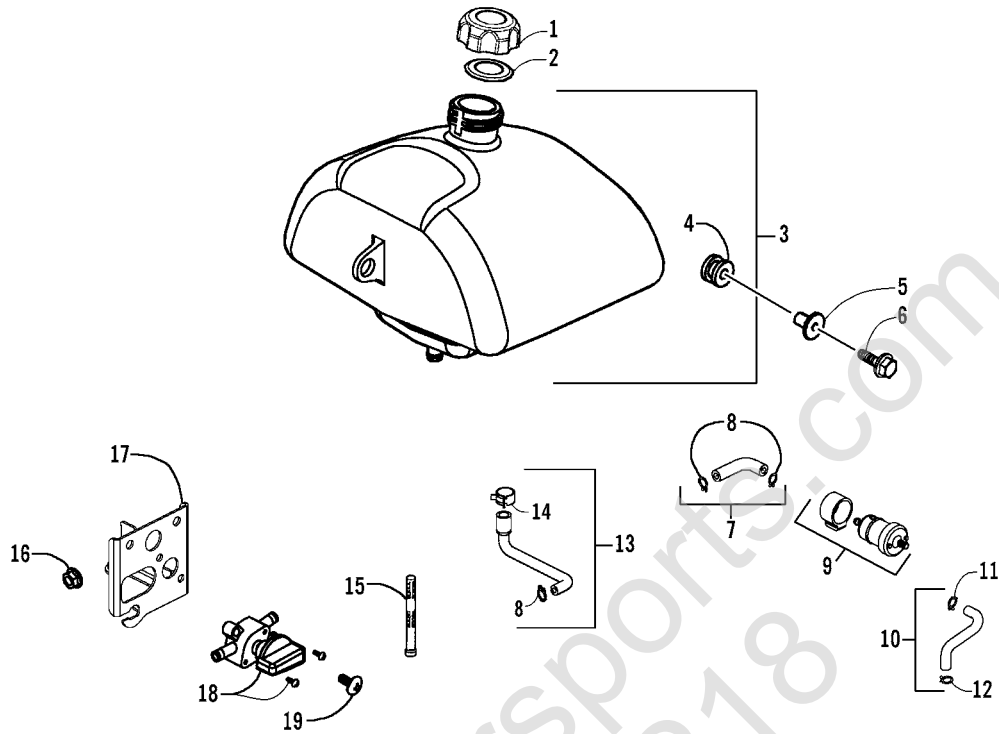


## SEAT AND TOOL KIT ASSEMBLY

0741-245

Ref.	Part No.	Qty.	Description	Ref.	Part No.	Qty.	Description
1	<u>3303-578</u>	1	Tool - Kit	4	<u>3304-568</u>	2	● Rubber, Seat Cushion
2	<u>3304-497</u>	1	Seat - Assembly (inc. 3-5)	5	<u>3303-331</u>	2	● Nut, Flange
3	<u>3304-392</u>	1	● Latch, Seat - Assembly	6	<u>3303-242</u>	1	Band, Tool Kit



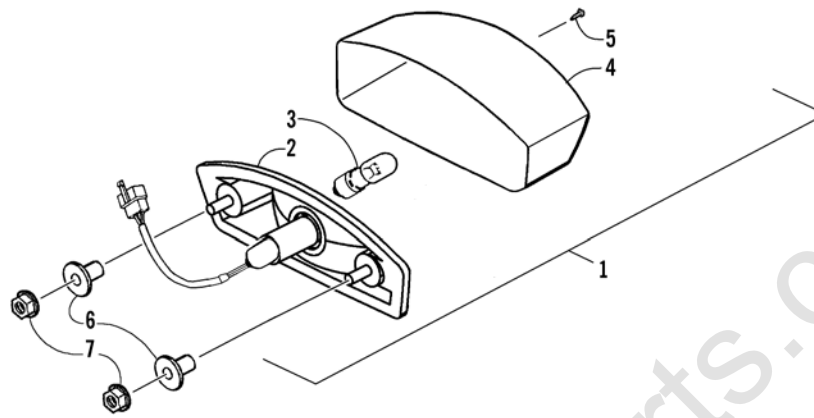


## GAS TANK ASSEMBLY

0741-247

Ref.	Part No.	Qty.	Description	Ref.	Part No.	Qty.	Description
1	<u>3303-067</u>	1	Cap, Gas Tank	11	<u>3303-352</u>	1	● Clip
2	<u>3303-068</u>	1	Seal, Gas Tank Cap	12	<u>3303-348</u>	1	● Clip
3	<u>3303-065</u>	1	Gas Tank - Assembly (inc. 4)	13	<u>3303-066</u>	2	Tube, Gas - Assembly (inc. two No. 8 and 14)
4	<u>3303-406</u>	2	● Rubber, Gas Tank	14	<u>3303-351</u>	2	● Clamp, Tube
5	<u>3303-226</u>	2	Collar	15	<u>3303-058</u>	1	Screen, Fuel Strainer
6	<u>3303-383</u>	2	Bolt, Flange	16	<u>3303-331</u>	2	Nut, Flange
7	<u>3303-353</u>	1	Tube, Gas - Assembly (inc. two No. 8)	17	<u>3303-070</u>	1	Bracket, Shut-Off Valve
8	<u>3303-349</u>	4	● Clip	18	<u>3303-057</u>	1	Valve, Shut-Off
9	<u>3303-056</u>	1	Strainer, Fuel - Assembly	19	<u>3303-316</u>	2	Screw
10	<u>3303-354</u>	1	Tube, Gas - Assembly (inc. 11-12)				



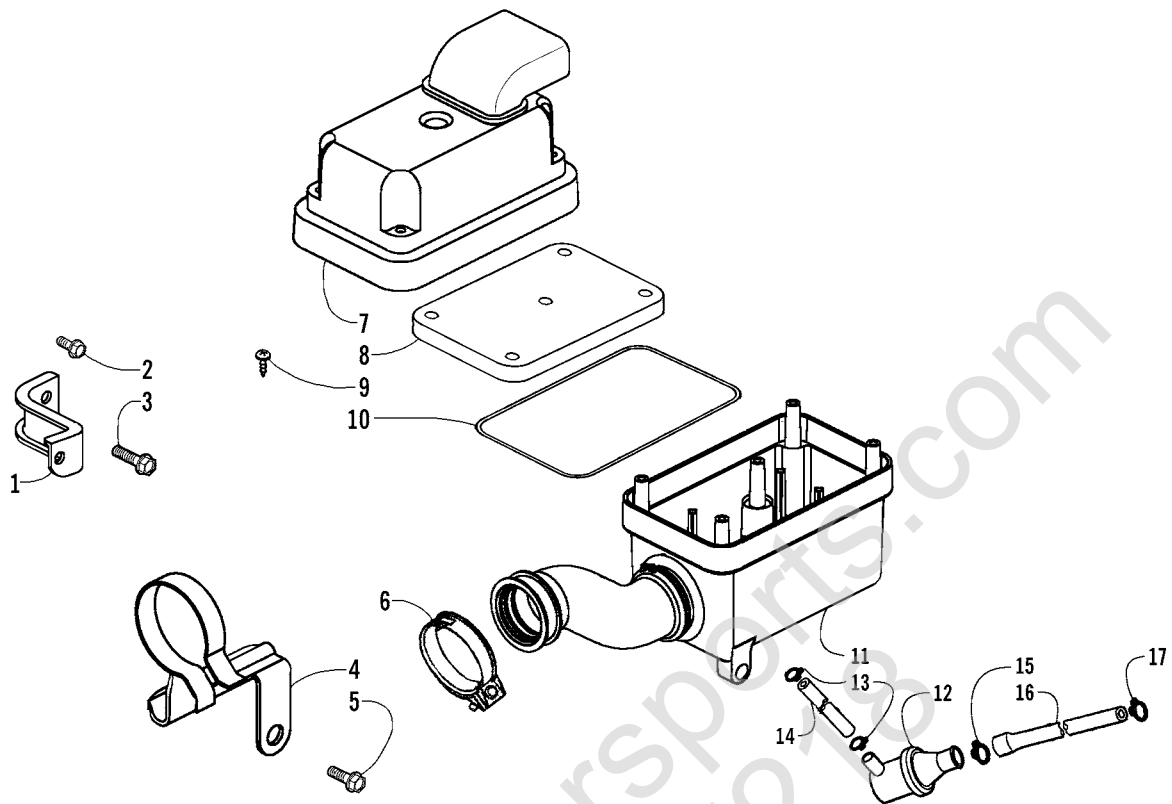


## TAILLIGHT ASSEMBLY

0740-625

Ref.	Part No.	Qty.	Description	Ref.	Part No.	Qty.	Description
1	<u>3303-420</u>	1	Taillight - Assembly (inc. 2-5)	5	<u>3304-537</u>	2	● Screw
2	<u>3303-422</u>	1	● Base, Taillight	6	<u>3303-226</u>	2	Collar
3	<u>3303-444</u>	1	● Bulb, Taillight	7	<u>3303-331</u>	2	Nut, Flange
4	<u>3304-283</u>	1	● Lens, Taillight				



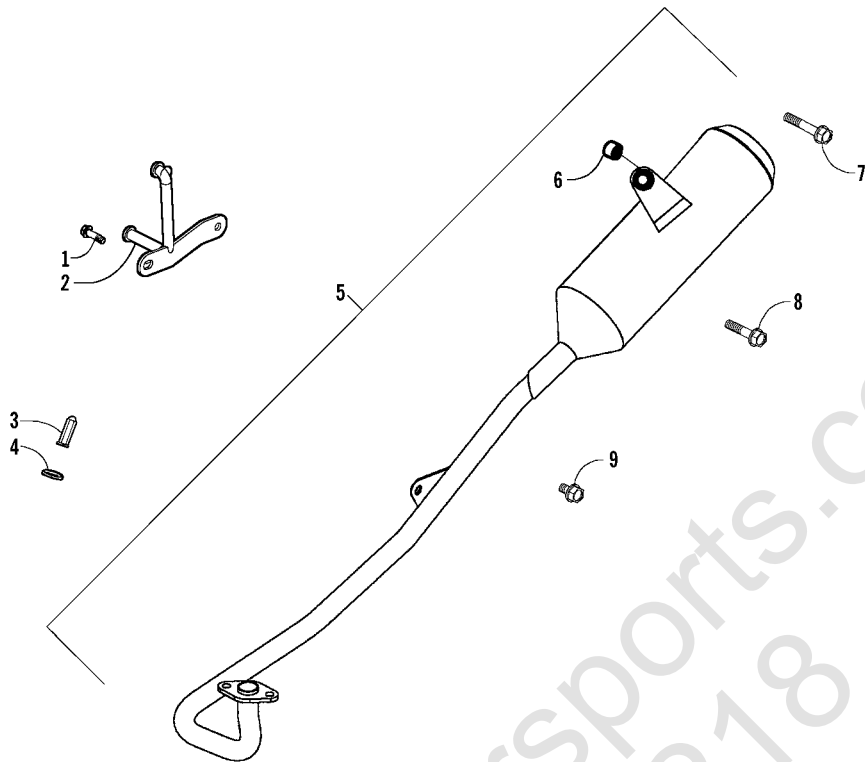


## AIR INTAKE ASSEMBLY

0741-246

Ref.	Part No.	Qty.	Description	Ref.	Part No.	Qty.	Description
1	<a href="#">3303-005</a>	1	Bracket, Mounting	10	<a href="#">3303-063</a>	1	Seal, Air Cleaner
2	<a href="#">3303-357</a>	1	Bolt, Flange	11	<a href="#">3303-061</a>	1	Case, Air Cleaner
3	<a href="#">3303-361</a>	1	Bolt, Flange	12	<a href="#">3303-064</a>	1	Catch, Air Cleaner Element
4	<a href="#">3303-287</a>	1	Clamp Assembly - Air Cleaner Tube	13	<a href="#">3303-350</a>	2	Clip
5	<a href="#">3304-551</a>	1	Bolt, Flange	14	<a href="#">3304-570</a>	1	Tube
6	<a href="#">3303-288</a>	1	Clamp	15	<a href="#">3303-052</a>	1	Clip, Breather Tube
7	<a href="#">3303-062</a>	1	Cover, Air Cleaner	16	<a href="#">3303-001</a>	1	Tube
8	<a href="#">3303-060</a>	1	Element, Air Cleaner	17	<a href="#">3303-352</a>	1	Clip
9	<a href="#">3303-322</a>	5	Screw, Self-Tapping				



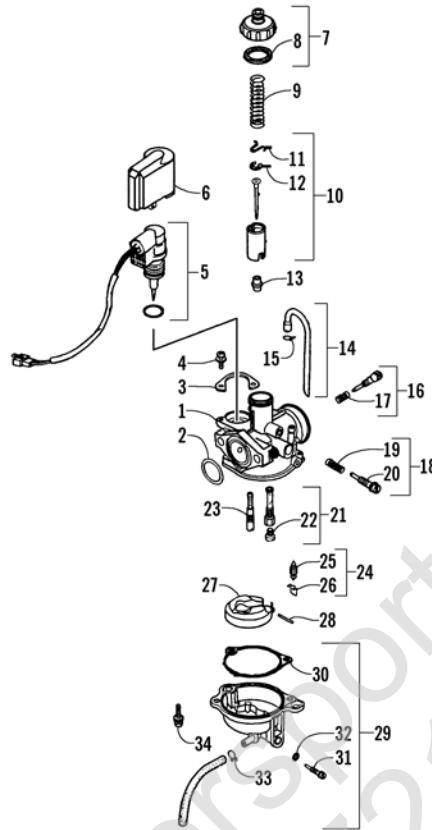


## EXHAUST ASSEMBLY

0741-248

Ref.	Part No.	Qty.	Description	Ref.	Part No.	Qty.	Description
1	<u>3304-572</u>	1	Bolt, Flange	6	<u>3304-571</u>	1	● Bushing, Rubber
2	<u>3304-573</u>	1	Bracket, Mounting - Muffler	7	<u>3303-314</u>	1	Bolt, Flange
3	<u>3303-261</u>	2	Nut, Cap - 8 mm	8	<u>3303-374</u>	1	Bolt, Flange
4	<u>3303-071</u>	1	Gasket, Exhaust Pipe	9	<u>3304-543</u>	1	Bolt, Flange
5	<u>3303-407</u>	1	Muffler - Assembly (inc. 6)				





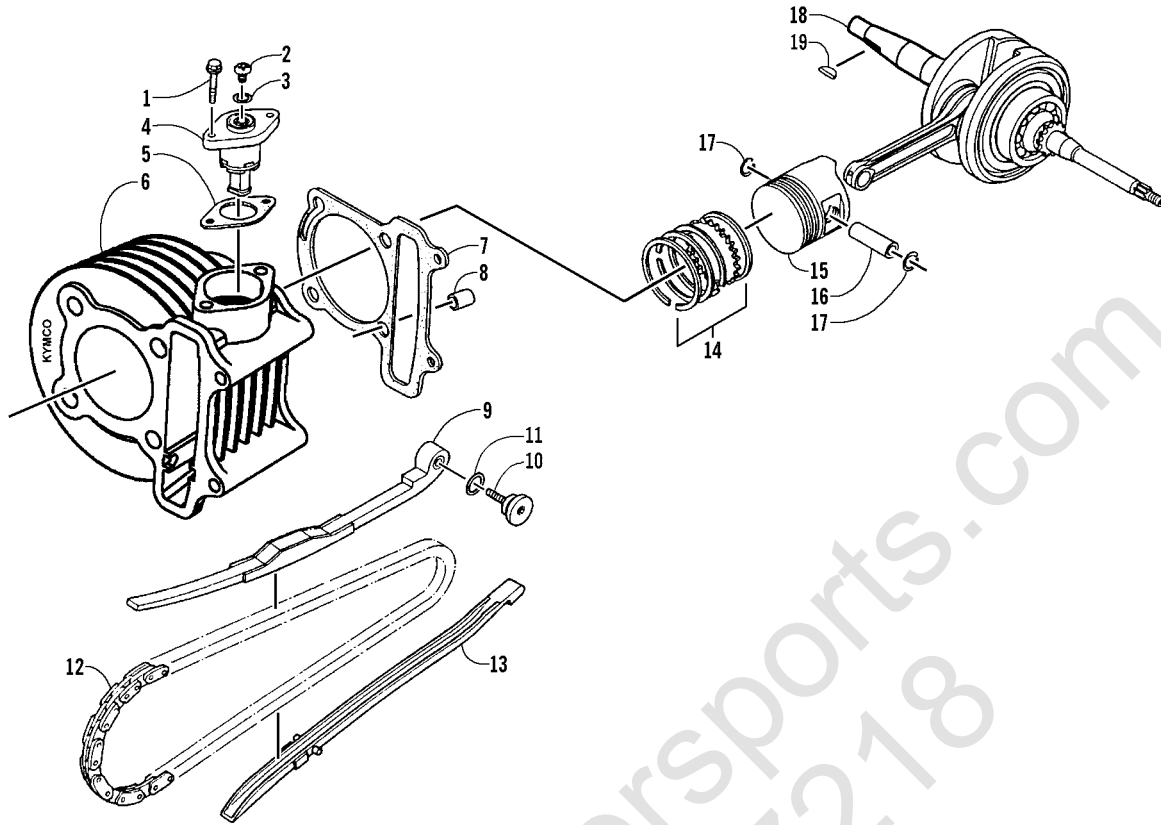
## CARBURETOR ASSEMBLY

(Complete Carburetor Assembly p/n 3303-405)

0741-045 \*Not a Service Part

Ref.	Part No.	Qty.	Description	Ref.	Part No.	Qty.	Description
1	*	1	Body, Carburetor	19	<u>3304-232</u>	1	● Spring, Compression
2	<u>3304-488</u>	1	O-Ring	20	<u>3304-478</u>	1	● Screw, Stop
3	<u>3304-471</u>	1	Set Plate	21	<u>3304-479</u>	1	Holder, Needle Jet - Assembly (inc. 22)
4	<u>3303-320</u>	2	Screw w/Washer	22	<u>3304-482</u>	1	● Jet, Main
5	<u>3304-470</u>	1	Automatic Bypass/Starter Assembly	23	<u>3304-489</u>	1	Jet, Slow
6	<u>3304-469</u>	1	Holder, Cap	24	<u>3304-490</u>	1	Valve, Float - Assembly (inc. 25-26)
7	<u>3304-462</u>	1	Set, Top (inc. 8)	25	<u>3304-483</u>	1	● Valve, Float - Set
8	<u>3304-463</u>	1	● Gasket, Top	26	<u>3304-484</u>	1	● Clip
9	<u>3304-464</u>	1	Spring, Compression	27	<u>3304-491</u>	1	Float Assembly
10	<u>3304-467</u>	1	Valve, Throttle - Assembly (inc. 11-12)	28	<u>3304-485</u>	1	Pin, Float Arm
11	<u>3304-465</u>	1	● Plate, Needle Clip	29	<u>3304-486</u>	1	Body, Float Chamber - Assembly (inc. 30-33)
12	<u>3304-466</u>	1	● Clip, Needle	30	*	1	● Gasket
13	<u>3304-468</u>	1	Needle Jet	31	<u>3304-243</u>	1	● Screw, Drain
14	<u>3304-472</u>	1	Tube, Rubber - Assembly (inc. 15)	32	<u>3304-239</u>	1	● O-Ring
15	<u>3304-452</u>	1	● Clip, Tube	33	<u>3304-452</u>	1	● Clip, Tube
16	<u>3304-475</u>	1	Screw, Adjustment - Assembly (inc. 17)	34	<u>3303-320</u>	2	Screw w/Washer
17	<u>3304-476</u>	1	● Spring, Compression				
18	<u>3304-477</u>	1	Screw, Stop - Assembly (inc. 19-20)				



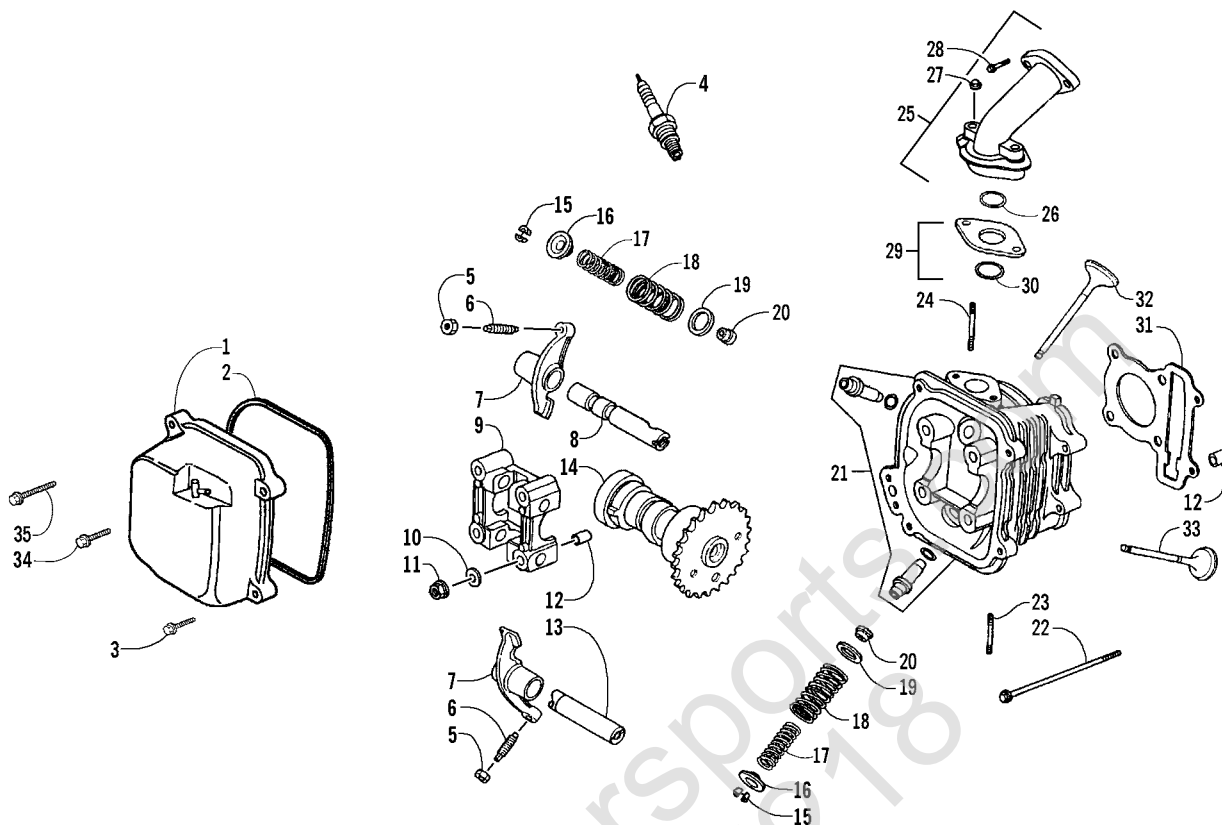


## PISTON ASSEMBLY

0741-249

Ref.	Part No.	Qty.	Description	Ref.	Part No.	Qty.	Description
1	<a href="#">3303-243</a>	2	Bolt, Flange	11	<a href="#">3303-301</a>	1	O-Ring
2	<a href="#">3303-244</a>	1	Screw	12	<a href="#">3303-030</a>	1	Cam Chain
3	<a href="#">3303-305</a>	1	O-Ring	13	<a href="#">3303-037</a>	1	Guide, Cam Chain
4	<a href="#">3303-677</a>	1	Adjuster, Cam Chain	14	<a href="#">3303-024</a>	1	Ring, Piston - Set
5	<a href="#">3303-035</a>	1	Gasket, Cam Chain Adjuster	15	<a href="#">3303-025</a>	1	Piston
6	<a href="#">3303-014</a>	1	Cylinder A	16	<a href="#">3303-026</a>	1	Pin, Piston
7	<a href="#">3303-015</a>	1	Gasket, Cylinder A	17	<a href="#">3303-027</a>	2	Clip, Piston Pin
8	<a href="#">3303-342</a>	2	Pin, Dowel	18	<a href="#">3303-023</a>	1	Crankshaft
9	<a href="#">3303-034</a>	1	Tensioner, Cam Chain	19	<a href="#">3303-290</a>	1	Key
10	<a href="#">3303-036</a>	1	Pivot, Cam Chain Tensioner				





# CYLINDER HEAD ASSEMBLY

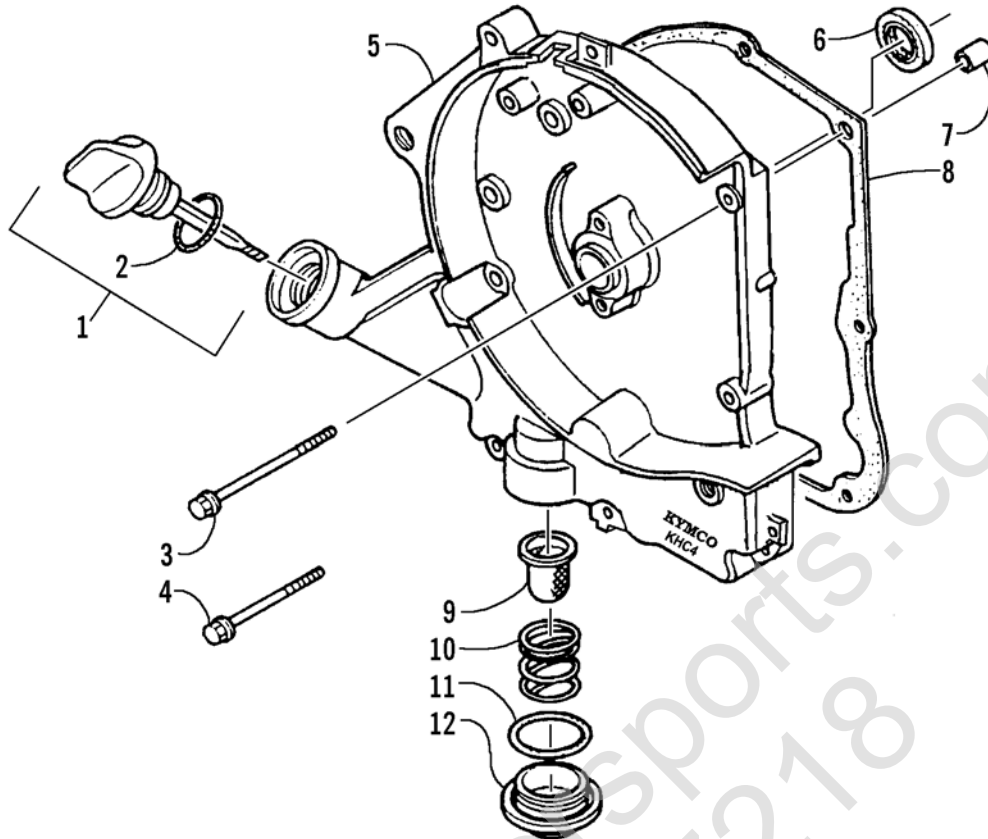
AC20AA (Complete Engine Assembly p/n 3303-625)\*

0741-252

Ref.	Part No.	Qty.	Description	Ref.	Part No.	Qty.	Description
1	<u>3303-020</u>	1	Cover, Head - Assembly	21	<u>3303-016</u>	1	Head, Cylinder
2	<u>3304-616</u>	1	Gasket, Cylinder Head Cover	22	<u>3303-389</u>	2	Bolt, Flange
3	<u>3303-360</u>	2	Bolt, Flange	23	<u>3303-249</u>	2	Bolt, Stud
4	<u>0217-726</u>	1	Plug, Spark	24	<u>3303-310</u>	2	Bolt, Stud
5	<u>3303-260</u>	2	Nut, Tappet Adjusting	25	<u>3303-059</u>	1	Pipe, Intake - Assembly (inc. 26)
6	<u>3303-246</u>	2	Screw, Tappet Adjusting	26	<u>3303-304</u>	1	● O-Ring
7	<u>3303-031</u>	2	Valve, Rocker Arm	27	<u>3303-331</u>	2	Nut, Flange
8	<u>3303-032</u>	1	Shaft, Rocker Arm - Intake	28	<u>3303-384</u>	2	Bolt, Flange
9	<u>3303-018</u>	1	Holder, Camshaft	29	<u>3303-511</u>	1	Insulator, Carburetor - Assembly (inc. 30)
10	<u>3303-277</u>	4	Washer, Sealing	30	<u>3304-596</u>	1	● O-Ring
11	<u>3303-332</u>	4	Nut, Flange	31	<u>3303-019</u>	1	Gasket, Cylinder Head
12	<u>3303-342</u>	4	Pin, Dowel	32	<u>3303-038</u>	1	Valve, Intake
13	<u>3303-033</u>	1	Shaft, Rocker Arm - Exhaust	33	<u>3303-039</u>	1	Valve, Exhaust
14	<u>3304-617</u>	1	Camshaft	34	<u>3303-362</u>	2	Bolt, Flange
15	<u>3303-044</u>	4	Cotter, Valve	35	<u>3303-363</u>	2	Bolt, Flange
16	<u>3303-042</u>	2	Retainer, Valve Spring				
17	<u>3303-041</u>	2	Spring, Valve - Inner				
18	<u>3303-040</u>	2	Spring, Valve - Outer				
19	<u>3303-043</u>	2	Seat, Valve Spring - Outer				
20	<u>3303-017</u>	2	Seal, Valve Stem				

\* The Complete Engine Assembly Includes a Starter Motor Assembly and Carburetor.

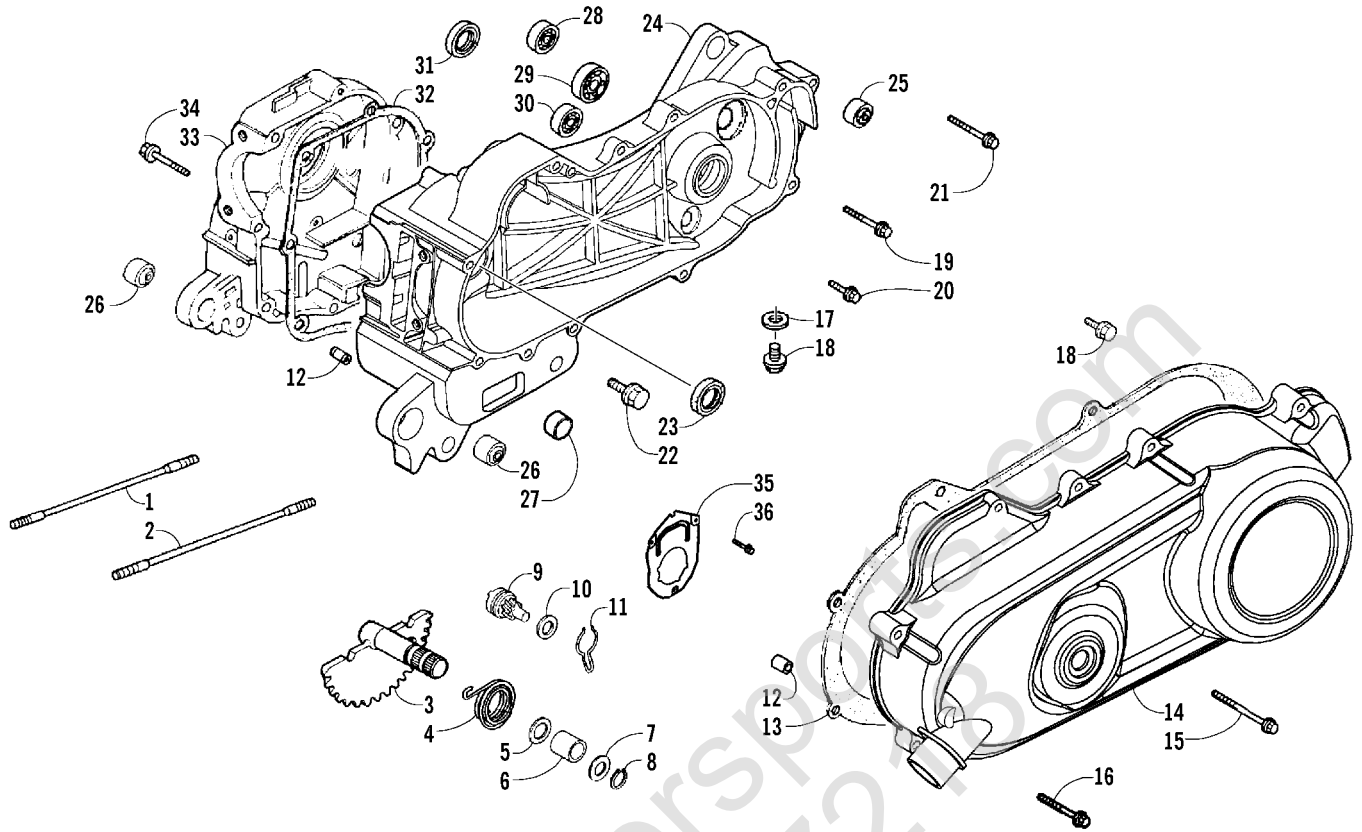




## CRANKCASE COVER ASSEMBLY

0740-498

Ref.	Part No.	Qty.	Description	Ref.	Part No.	Qty.	Description
1	<u>3303-050</u>	1	Gauge, Oil Level - Assembly (inc. 2)	7	<u>3303-341</u>	2	Pin, Dowel
2	<u>3303-306</u>	1	● O-Ring	8	<u>3303-012</u>	1	Gasket, Crankcase
3	<u>3303-390</u>	4	Bolt, Flange	9	<u>3303-048</u>	1	Screen, Oil Filter
4	<u>3304-580</u>	4	Bolt, Flange	10	<u>3303-049</u>	1	Spring, Oil Filter Screen
5	<u>3303-007</u>	1	Cover, Crankcase (inc. 6)	11	<u>3303-302</u>	1	O-Ring
6	<u>3303-296</u>	1	● Seal, Oil	12	<u>3303-021</u>	1	Hole Cap, Tappet Adjusting

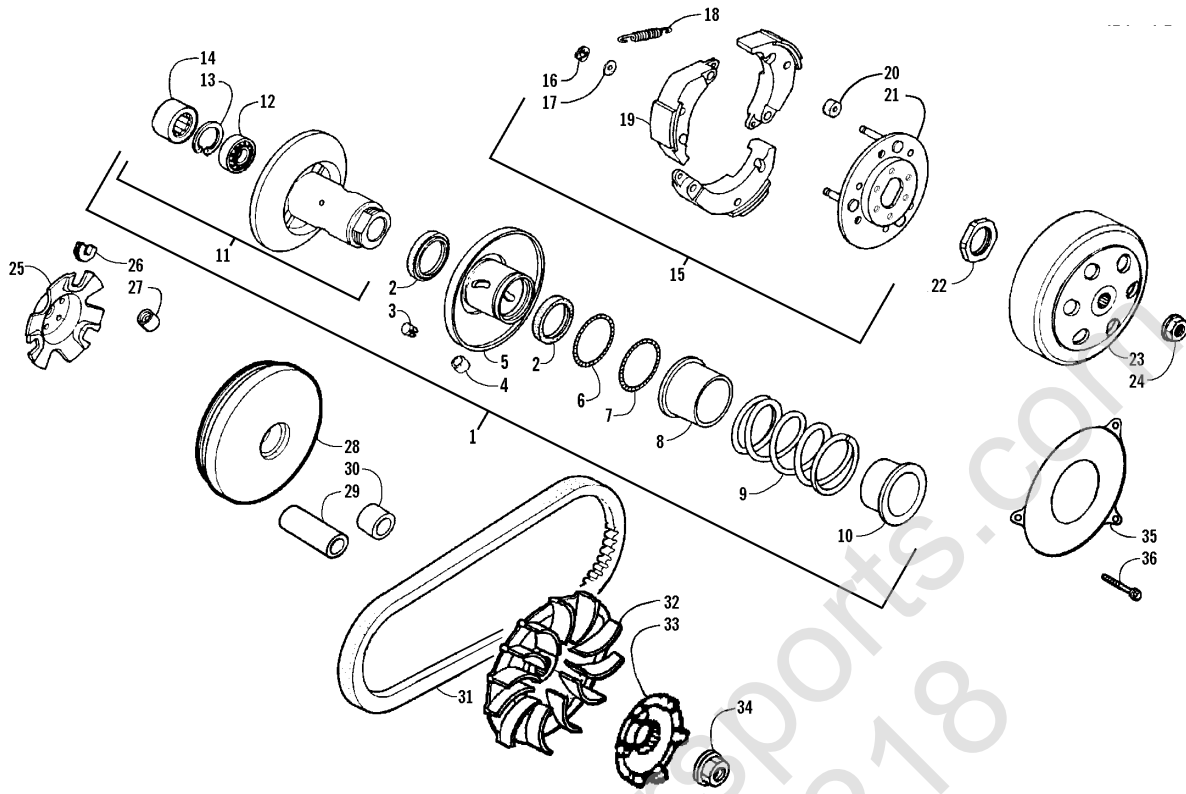


## CRANKCASE ASSEMBLY

0741-253

Ref.	Part No.	Qty.	Description	Ref.	Part No.	Qty.	Description
1	<u>3303-247</u>	2	Bolt, Stud	20	<u>3303-381</u>	1	Bolt, Flange
2	<u>3303-248</u>	2	Bolt, Stud	21	<u>3303-370</u>	6	Bolt, Flange
3	<u>3303-119</u>	1	Spindle, Kick Starter	22	<u>3303-283</u>	1	Bolt, Drain Plug - Assembly
4	<u>3303-122</u>	1	Spring, Return - Kick Starter	23	<u>3303-296</u>	1	Seal, Oil
5	<u>3303-121</u>	1	Collar, Boss - Kick Starter	24	<u>3303-004</u>	1	Crankcase, Set - Left (inc. 25, one No. 26, and 27-30)
6	<u>3303-120</u>	1	Bushing, Spindle - Kick Starter	25	<u>3303-403</u>	2	● Bushing, Rubber - Rear Cushion
7	<u>3303-276</u>	1	Washer, Spindle - Kick Starter	26	<u>3303-402</u>	2	● Bushing, Rubber - Engine Hanger
8	<u>3303-345</u>	1	Circlip	27	<u>3304-597</u>	1	● Bushing
9	<u>3303-118</u>	1	Gear, Driven - Kick Starter	28	<u>3303-464</u>	1	● Bearing, Ball
10	<u>3303-272</u>	1	Washer, Thrust	29	<u>3303-459</u>	1	● Bearing, Needle
11	<u>3303-117</u>	1	Spring, Driven - Kick Starter	30	<u>3303-465</u>	1	● Bearing, Ball
12	<u>3303-341</u>	4	Pin, Dowel	31	<u>3303-297</u>	1	Seal, Oil
13	<u>3303-013</u>	1	Gasket, Crankcase Cover - Left	32	<u>3303-003</u>	1	Gasket, Crankcase - Right
14	<u>3304-615</u>	1	Cover, Crankcase - Left	33	<u>3303-400</u>	1	Crankcase, Set - Right (inc. one No. 26)
15	<u>3303-386</u>	7	Bolt, Flange	34	<u>3303-387</u>	1	Bolt, Flange
16	<u>3303-385</u>	1	Bolt, Flange	35	<u>3303-009</u>	1	Plate, Cover
17	<u>3303-278</u>	1	Washer	36	<u>3303-391</u>	3	Bolt
18	<u>3303-365</u>	2	Bolt, Flange				
19	<u>3303-372</u>	1	Bolt, Flange				



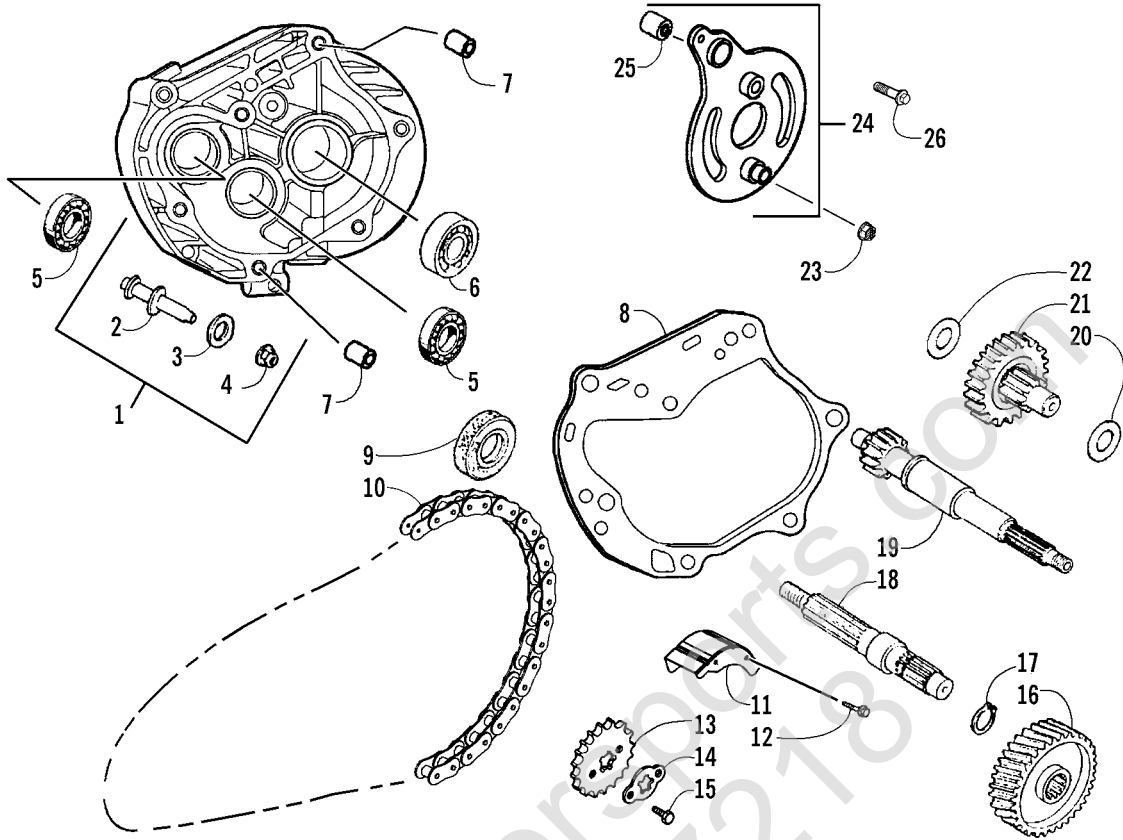


## CLUTCH ASSEMBLIES

0741-256

Ref.	Part No.	Qty.	Description	Ref.	Part No.	Qty.	Description
1	<u>3303-411</u>	1	Pulley, Driven - Assembly (inc. 2-22)	19	<u>3303-093</u>	3	●● Weight, Clutch
2	<u>3303-299</u>	2	● Seal, Oil	20	<u>3303-094</u>	3	●● Rubber, Clutch Damper
3	<u>3303-098</u>	3	● Guide, Pin	21	<u>3303-091</u>	1	●● Face, Drive
4	<u>3303-099</u>	3	● Guide, Roller	22	<u>3303-259</u>	1	● Nut
5	<u>3303-097</u>	1	● Face, Movable Driven	23	<u>3303-082</u>	1	Clutch, Outer
6	<u>3304-620</u>	1	● O-Ring	24	<u>3303-333</u>	1	Nut, Flange
7	<u>3304-619</u>	1	● O-Ring	25	<u>3303-088</u>	1	Plate, Ramp
8	<u>3303-102</u>	1	● Collar, Spring	26	<u>3303-089</u>	3	Slide
9	<u>3303-100</u>	1	● Spring, Driven Face	27	<u>3303-529</u>	6	Guide, Roller
10	<u>3303-101</u>	1	● Collar, Seal	28	<u>3303-086</u>	1	Face, Movable
11	<u>3303-096</u>	1	● Face, Driven - Assembly (inc. 12-14)	29	<u>3303-409</u>	1	Boss, Drive Face
12	<u>3303-291</u>	1	●● Bearing, Ball	30	<u>3303-527</u>	1	Collar, Drive Face
13	<u>3303-346</u>	1	●● Circlip	31	<u>3303-095</u>	1	Belt, Drive
14	<u>3303-294</u>	1	●● Bearing, Needle	32	<u>3303-083</u>	1	Face, Drive
15	<u>3303-090</u>	1	● Face, Drive - Assembly (inc. 16-21)	33	<u>3303-116</u>	1	Ratchet, Kick Starter
16	<u>3303-590</u>	3	●● E-Ring	34	<u>3303-334</u>	1	Nut, Flange
17	<u>3303-274</u>	3	●● Washer, Thrust	35	<u>3304-460</u>	1	Plate, Dust
18	<u>3303-092</u>	3	●● Spring, Clutch	36	<u>3303-381</u>	3	Bolt, Flange



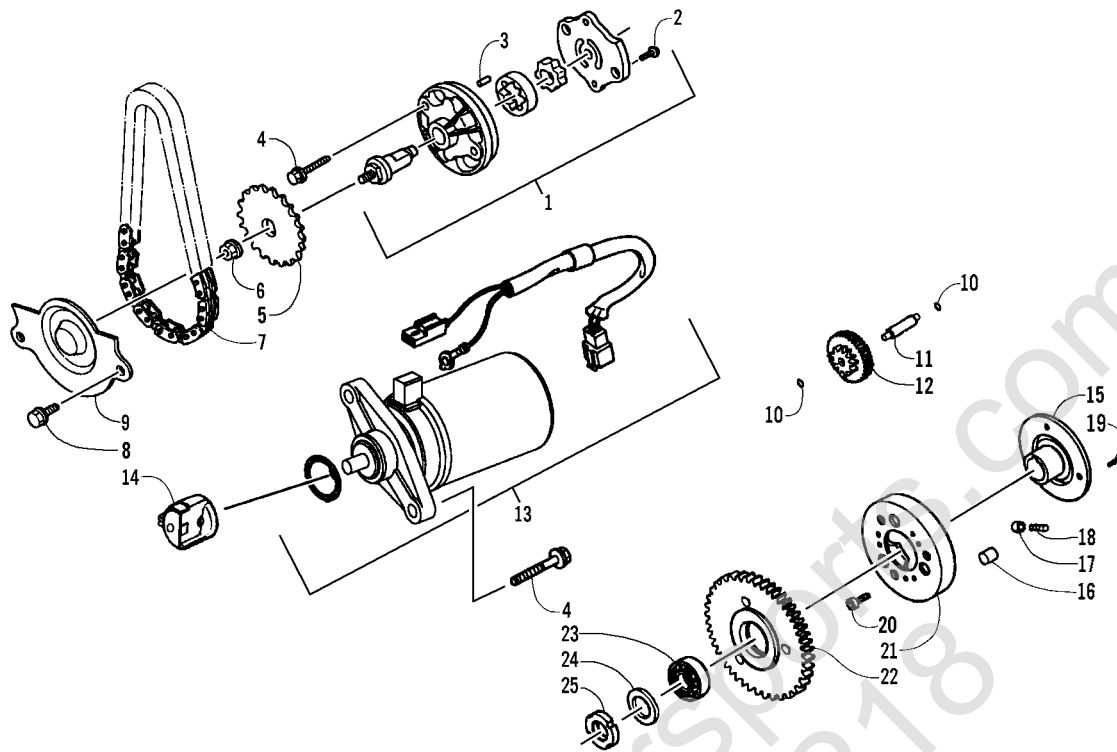


## TRANSMISSION ASSEMBLY

0741-240

Ref.	Part No.	Qty.	Description	Ref.	Part No.	Qty.	Description
1	<u>3303-080</u>	1	Case, Transmission - Set (inc. 2-6)	15	<u>3303-307</u>	2	Bolt
2	<u>3304-606</u>	1	● Bolt, Engine Brake	16	<u>3303-106</u>	1	Gear, Final
3	<u>3303-462</u>	1	● O-Ring	17	<u>3303-344</u>	1	Circlip
4	<u>3303-270</u>	1	● Nut, Flange	18	<u>3303-105</u>	1	Shaft, Final
5	<u>3303-596</u>	2	● Bearing, Ball	19	<u>3303-103</u>	1	Driveshaft
6	<u>3303-458</u>	1	● Bearing, Ball	20	<u>3303-275</u>	1	Washer
7	<u>3303-343</u>	2	Pin, Dowel	21	<u>3303-104</u>	1	Countershaft - Assembly
8	<u>3303-081</u>	1	Gasket, Transmission Case A	22	<u>3303-273</u>	1	Washer
9	<u>3303-300</u>	1	Seal, Oil	23	<u>3303-268</u>	2	Nut, Flange
10	<u>3303-425</u>	1	Chain, Drive	24	<u>3304-608</u>	1	Bracket, Engine Hanger - Assembly (inc. 25)
11	<u>3303-144</u>	1	Cover, Chain	25	<u>3303-403</u>	1	● Bushing, Rubber
12	<u>3304-610</u>	2	Bolt, Flange	26	<u>3304-607</u>	1	Bolt, Flange
13	<u>3304-609</u>	1	Sprocket, Drive				
14	<u>3303-108</u>	1	Plate				



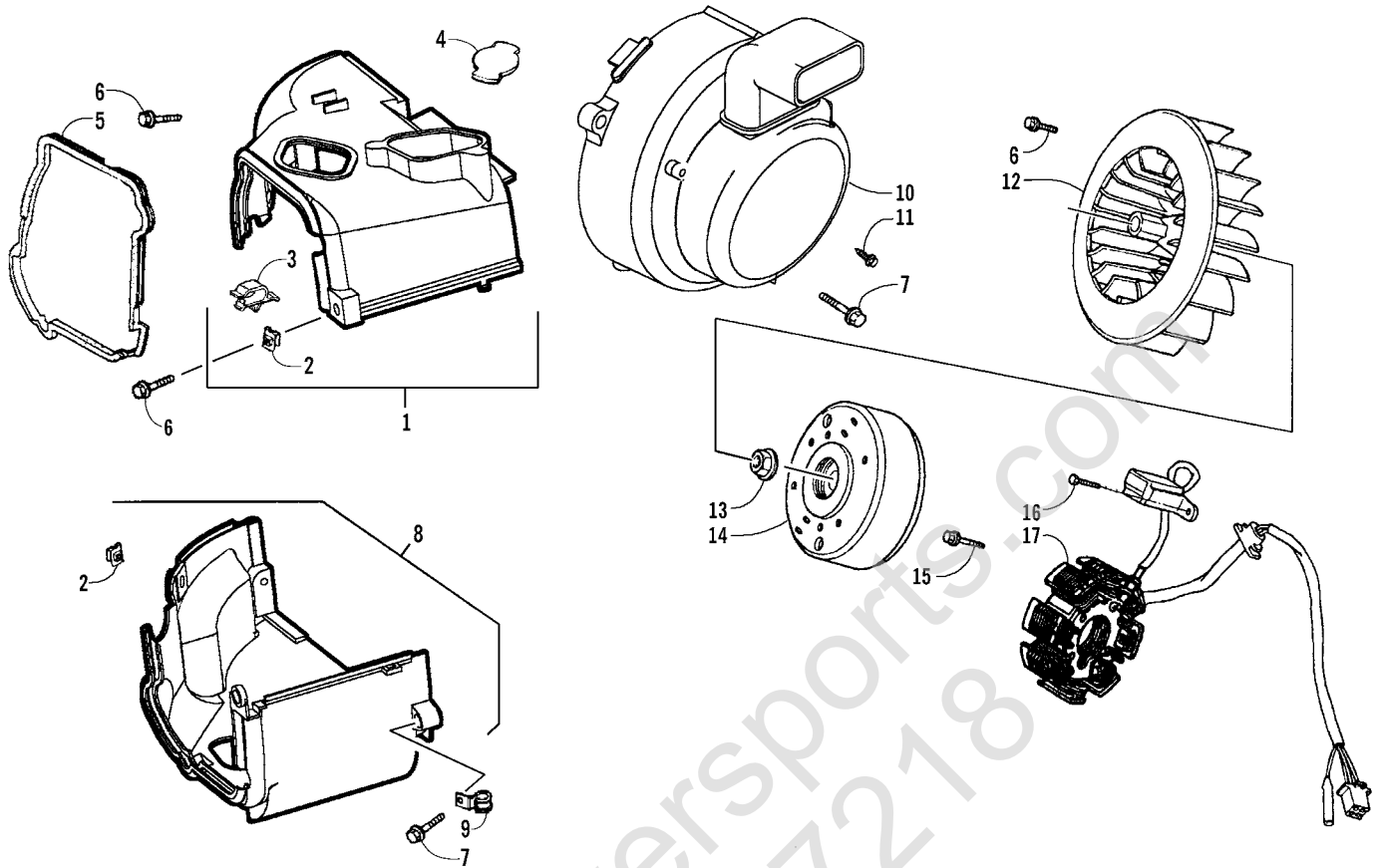


## STARTER MOTOR AND OIL PUMP ASSEMBLIES

0741-255

Ref.	Part No.	Qty.	Description	Ref.	Part No.	Qty.	Description
1	<a href="#">3303-045</a>	1	Pump, Oil - Assembly (inc. 2-3)	14	<a href="#">3303-130</a>	1	Holder, Starter
2	<a href="#">3304-426</a>	1	● Screw, Pan Head	15	<a href="#">3303-115</a>	1	Boss, Starter Clutch
3	<a href="#">3304-144</a>	1	● Pin, Dowel	16	<a href="#">3303-293</a>	3	Roller
4	<a href="#">3303-384</a>	4	Bolt, Flange	17	<a href="#">3303-114</a>	3	Roller, Starter
5	<a href="#">3303-046</a>	1	Sprocket	18	<a href="#">3303-113</a>	3	Spring, Roller - Outer Clutch
6	<a href="#">3303-331</a>	1	Nut, Flange	19	<a href="#">3303-395</a>	1	Roller
7	<a href="#">3303-047</a>	1	Chain, Oil Pump	20	<a href="#">3303-396</a>	3	Bolt
8	<a href="#">3303-381</a>	2	Bolt, Flange	21	<a href="#">3303-112</a>	1	Clutch, Outer
9	<a href="#">3303-051</a>	1	Separator, Oil	22	<a href="#">3303-111</a>	1	Gear, Starter
10	<a href="#">3303-282</a>	2	Washer	23	<a href="#">3303-292</a>	1	Bearing, Ball
11	<a href="#">3303-110</a>	1	Shaft, Starter Reduction	24	<a href="#">3303-285</a>	1	Circlip
12	<a href="#">3303-109</a>	1	Gear, Starter Reduction	25	<a href="#">3303-258</a>	1	Nut
13	<a href="#">3304-639</a>	1	Motor, Starter - Assembly				





## STATOR, FLYWHEEL, AND ENGINE SHROUD ASSEMBLIES

0741-257

Ref.	Part No.	Qty.	Description	Ref.	Part No.	Qty.	Description
1	<u>3303-079</u>	1	Shroud B - Assembly (inc. one No. 2 and 3-4)	9	<u>3304-640</u>	1	Clamp, Carburetor Drain Tube
2	<u>3303-267</u>	2	● Nut, Clip	10	<u>3303-516</u>	1	Cover, Fan - Assembly
3	<u>3303-443</u>	1	● Clip, Vacuum Tube	11	<u>3304-585</u>	2	Screw, Self-Tapping
4	<u>3303-408</u>	1	● Grommet, Shroud	12	<u>3303-075</u>	1	Fan, Cooling
5	<u>3303-077</u>	1	Seal, Shroud	13	<u>3303-333</u>	1	Nut, Flange
6	<u>3303-382</u>	6	Bolt, Flange	14	<u>3303-127</u>	1	Flywheel
7	<u>3303-384</u>	3	Bolt, Flange	15	<u>3303-383</u>	2	Bolt, Flange
8	<u>3303-078</u>	1	Shroud A - Assembly (inc. one No. 2)	16	<u>3303-308</u>	2	Bolt
				17	<u>3304-641</u>	1	Stator - Assembly



# RELATED ITEMS

## 2006 ATV 90 Y-12 Youth - Utility

Red (Model No. A2006KUB2BUSR)

Green (Model No. A2006KUB2BUSG)

0436-431 Cover, Green and Black  
2257-522 Manual, Illustrated Parts  
2257-317 Manual, Operator's (E)  
2257-318 Manuel d'utilisation (F)

0436-005 Oil, Engine - 10W40  
0436-003 Oil, Engine - 5W30  
0436-447 Windshield

■ NOTE: For a complete list of related items, refer to the current accessory catalog.

